



Royal Industrial Suppliers

Quality Fasteners Specialist

No. 4, M.G.S. Complex, Benki Nawab Street, S.P. Road Cross, Bangalore 560002

An ISO 9001:2015 Certified Co



8310165941 / 9008782885



sales@royalfastenersindia.com



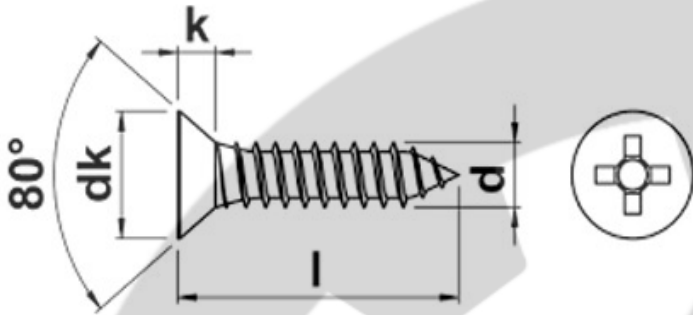
www.royalfastenersindia.com

MICRO SELF TAPPING SCREW CSK PHILIPS BLACK

CATALOGUE NUMBER: **B6A05**

AISI 316 A4

BLACK



Parameter ↓	Dia (d) →	1.0	1.2	1.4	1.7	2.0	2.3	2.6
Head Dia (dk)	Max	2.00	2.10	2.60	3.20	3.60	3.80	4.50
	Min	1.70	1.80	2.30	2.90	3.30	3.50	4.20
Head Thickness (k)	Max	0.60	0.70	0.90	1.20	1.40	1.60	1.80
	Min	0.30	0.40	0.60	0.90	1.10	1.30	1.50

Send your Orders / Enquiries along with the following Item Codes

All Dimensions are in MM

Length ↓	Dia d →	1.0	1.2	1.4	1.7	2.0	2.3	2.6
3		B6A0510003	B6A0510203	B6A0510403				
4		B6A0510004	B6A0510204	B6A0510404	B6A0510704	B6A0520004		
5		B6A0510005	B6A0510205	B6A0510405	B6A0510705	B6A0520005		
6		B6A0510006	B6A0510206	B6A0510406	B6A0510706	B6A0520006	B6A0520306	B6A0520606
8		B6A0510008	B6A0510208	B6A0510408	B6A0510708	B6A0520008	B6A0520308	B6A0520608
10		B6A0510010	B6A0510210	B6A0510410	B6A0510710	B6A0520010	B6A0520310	B6A0520610
12				B6A0510412	B6A0510712	B6A0520012	B6A0520312	B6A0520612
14					B6A0510714	B6A0520014	B6A0520314	B6A0520614
16					B6A0510716	B6A0520016	B6A0520316	B6A0520616
18						B6A0520018	B6A0520318	B6A0520618
20						B6A0520020	B6A0520320	B6A0520620
25								B6A0520625

Sizes in BLUE are non-preferred. Availability is limited and MOQ is higher.

Data is strictly informative.

Note: All Austenitic Stainless Steel Fasteners may exhibit some Magnetic Properties due to the Manufacturing Process.

Refer: ISO 3506-2 Annex F