



GST NO.: 29AHZPU5620Q1ZZ

An ISO 9001:2015 Certified Company

ROYAL INDUSTRIAL SUPPLIERS

QUALITY FASTENERS SPECIALIST



8310165941 / 9959457863



sales@royalfastenersindia.com



www.royalfastenersindia.com

TECHNICAL DATA SHEET

ALLEN SOCKET HEAD CAP SCREW (SHCS)



MATERIAL- STAINLESS STEEL

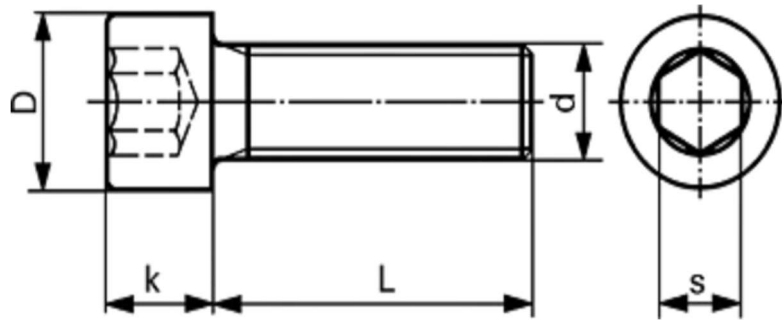
GRADE-SS316 (A4-70)

AS PER-DIN-912

CATALOGUE NO. R6C39

INSTALLATION GUIDE

- SELECT THE CORRECT SIZE OF ALLEN SHCS SCREW AND MATCHING ALLEN KEY/HEX WRENCH.
- CHECK THAT THE MATING HOLE OR THREAD IS CLEAN AND FREE FROM DUST, OIL, OR DEBRIS.
- POSITION THE COMPONENTS TO BE FASTENED IN PROPER ALIGNMENT.
- INSERT THE ALLEN SHCS SCREW INTO THE HOLE OR THREAD BY HAND TO AVOID CROSS THREADING.
- USE THE ALLEN KEY/HEX WRENCH TO TURN THE SCREW CLOCKWISE AND BEGIN TIGHTENING.
- APPLY STEADY FORCE TO ENSURE THE SCREW SEATS EVENLY WITHOUT DAMAGING THE SOCKET.
- DO NOT OVERTIGHTEN TO PREVENT THREAD DAMAGE OR MATERIAL DISTORTION.
- USE A TORQUE WRENCH IF SPECIFIC TORQUE REQUIREMENTS ARE PROVIDED.
- FOR HIGH-STRENGTH OR VIBRATION APPLICATIONS, USE WASHERS OR THREAD LOCKING COMPOUNDS AS NEEDED.
- VERIFY THAT THE ALLEN SHCS SCREW IS FIRMLY SECURED AND FLUSH WITH THE SURFACE.



Note: Head may be plain or knurled

Size →	M1.6x0.35	M2x0.4	M2.5x0.45	M3x0.5	M4x0.7	M5x0.8	M6x1.0
Head dia D	max	3.00	3.80	4.50	5.50	7.00	10.00
	min	2.86	3.62	4.32	5.32	6.78	9.78
Socket A/F s	1.50	1.50	2.00	2.50	3.00	4.00	5.00
Head Height K	max	1.60	2.00	2.50	3.00	4.00	6.00
	min	1.46	1.86	2.36	2.86	3.82	5.70

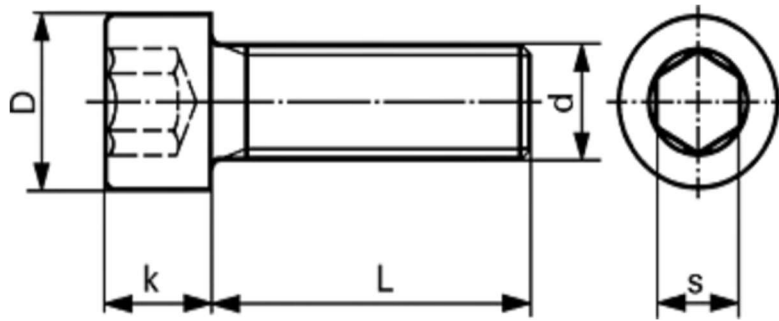
Quote the PART NUMBER given below with your order/ inquiries:

All Dimensions in mm

Length ↓ Dia→	M1.6x0.35	M2x0.4	M2.5x0.45	M3x0.5	M4x0.7	M5x0.8	M6x1.0
3	R6C3910603	R6C3902003	R6C3920503	R6C3903003			
4	R6C3910604	R6C3902004	R6C3920504	R6C3903004	R6C3904004		
5	R6C3910605	R6C3902005	R6C3920505	R6C3903005	R6C3904005	R6C3905005	
6	R6C3910606	R6C3902006	R6C3920506	R6C3903006	R6C3904006	R6C3905006	R6C3906006
8	R6C3910608	R6C3902008	R6C3920508	R6C3903008	R6C3904008	R6C3905008	R6C3906008
10	R6C3910610	R6C3902010	R6C3920510	R6C3903010	R6C3904010	R6C3905010	R6C3906010
12	R6C3910612	R6C3902012	R6C3920512	R6C3903012	R6C3904012	R6C3905012	R6C3906012
14	R6C3910614	R6C3902014	R6C3920514	R6C3903014	R6C3904014	R6C3905014	R6C3906014
16	R6C3910616	R6C3902016	R6C3920516	R6C3903016	R6C3904016	R6C3905016	R6C3906016
18	R6C3910618	R6C3902018	R6C3920518	R6C3903018	R6C3904018	R6C3905018	R6C3906018
20	R6C3910620	R6C3902020	R6C3920520	R6C3903020	R6C3904020	R6C3905020	R6C3906020
22		R6C3902022	R6C3920522	R6C3903022	R6C3904022	R6C3905022	R6C3906022
25		R6C3902025	R6C3920525	R6C3903025	R6C3904025	R6C3905025	R6C3906025
30		R6C3902030	R6C3920530	R6C3903030	R6C3904030	R6C3905030	R6C3906030
35		R6C3902035	R6C3920535	R6C3903035	R6C3904035	R6C3905035	R6C3906035
40		R6C3902040	R6C3920540	R6C3903040	R6C3904040	R6C3905040	R6C3906040
45			R6C3920545	R6C3903045	R6C3904045	R6C3905045	R6C3906045
50			R6C3920550	R6C3903050	R6C3904050	R6C3905050	R6C3906050
55				R6C3903055	R6C3904055	R6C3905055	R6C3906055
60				R6C3903060	R6C3904060	R6C3905060	R6C3906060
65				R6C3903065	R6C3904065	R6C3905065	R6C3906065
70				R6C3903070	R6C3904070	R6C3905070	R6C3906070
75				R6C3903075	R6C3904075	R6C3905075	R6C3906075
80				R6C3903080	R6C3904080	R6C3905080	R6C3906080
90				R6C3903090	R6C3904090	R6C3905090	R6C3906090
100				R6C3903100	R6C3904100	R6C3905100	R6C3906100
110						R6C3905110	R6C3906110
120						R6C3905120	R6C3906120
130						R6C3905130	R6C3906130
150						R6C3905150	R6C3906150

Sizes in BLUE are non-preferred. Availability is limited and MOQ is applied. *Data is strictly informative*

Note: All Austenitic Stainless-Steel Fasteners may exhibit some Magnetic Properties due to the Manufacturing Process.
Refer: ISO 3506-2 Annex F



Note: Head may be plain or knurled

Size →		M8x1.25	M10x1.5	M12x1.75	M14x2.0	M16x2.0	M18x2.5	M20x2.5
Head dia D	max	13.00	16.00	18.00	21.00	24.00	27.00	30.00
	min	12.73	15.73	17.73	20.67	23.67	26.67	29.67
Socket A/F s		6.00	8.00	10.00	12.00	14.00	14.00	17.00
Head Height K	max	8.00	10.00	12.00	14.00	16.00	18.00	20.00
	min	7.64	9.64	11.57	13.57	15.57	17.57	19.48

Quote the PART NUMBER given below with your order/ inquiries:

All Dimensions in mm

Dia→ Length ↓	M8x1.25	M10x1.5	M12x1.75	M14x2.0	M16x2.0	M18x2.5	M20x2.5
10	R6C3908010						
12	R6C3908012	R6C3910012					
14	R6C3908014	R6C3910014					
16	R6C3908016	R6C3910016	R6C3912016				
18	R6C3908018	R6C3910018	R6C3912018				
20	R6C3908020	R6C3910020	R6C3912020	R6C3914020	R6C3916020		
22	R6C3908022	R6C3910022	R6C3912022	R6C3914022			
25	R6C3908025	R6C3910025	R6C3912025	R6C3914025	R6C3916025		
30	R6C3908030	R6C3910030	R6C3912030	R6C3914030	R6C3916030	R6C3918030	R6C3920030
35	R6C3908035	R6C3910035	R6C3912035	R6C3914035	R6C3916035	R6C3918035	R6C3920035
40	R6C3908040	R6C3910040	R6C3912040	R6C3914040	R6C3916040	R6C3918040	R6C3920040
45	R6C3908045	R6C3910045	R6C3912045	R6C3914045	R6C3916045	R6C3918045	R6C3920045
50	R6C3908050	R6C3910050	R6C3912050	R6C3914050	R6C3916050	R6C3918050	R6C3920050
55	R6C3908055	R6C3910055	R6C3912055	R6C3914055	R6C3916055	R6C3918055	R6C3920055
60	R6C3908060	R6C3910060	R6C3912060	R6C3914060	R6C3916060	R6C3918060	R6C3920060
65	R6C3908065	R6C3910065	R6C3912065	R6C3914065	R6C3916065	R6C3918065	R6C3920065
70	R6C3908070	R6C3910070	R6C3912070	R6C3914070	R6C3916070	R6C3918070	R6C3920070
75	R6C3908075	R6C3910075	R6C3912075	R6C3914075	R6C3916075	R6C3918075	R6C3920075
80	R6C3908080	R6C3910080	R6C3912080	R6C3914080	R6C3916080	R6C3918080	R6C3920080
90	R6C3908090	R6C3910090	R6C3912090	R6C3914090	R6C3916090	R6C3918090	R6C3920090
100	R6C3908100	R6C3910100	R6C3912100	R6C3914100	R6C3916100	R6C3918100	R6C3920100
110	R6C3908110	R6C3910110	R6C3912110	R6C3914110	R6C3916110	R6C3918110	R6C3920110
120	R6C3908120	R6C3910120	R6C3912120	R6C3914120	R6C3916120	R6C3918120	R6C3920120
130	R6C3908130	R6C3910130	R6C3912130	R6C3914130	R6C3916130	R6C3918130	R6C3920130
140	R6C3908140	R6C3910140	R6C3912140	R6C3914140	R6C3916140	R6C3918140	R6C3920140
150	R6C3908150	R6C3910150	R6C3912150	R6C3914150	R6C3916150	R6C3918150	R6C3920150

Sizes in BLUE are non-preferred. Availability is limited and MOQ is applied. Data is strictly informative

Note: All Austenitic Stainless-Steel Fasteners may exhibit some Magnetic Properties due to the Manufacturing Process.

Refer: ISO 3506-2 Annex F