



GST NO.: 29AHZPU5620Q1ZZ

An ISO 9001:2015 Certified Company

ROYAL INDUSTRIAL SUPPLIERS

QUALITY FASTENERS SPECIALIST



8310165941 / 9959457863



sales@royalfastenersindia.com



www.royalfastenersindia.com

TECHNICAL DATA SHEET

ALLEN SOCKET HEAD CAP SCREW (SHCS)



MATERIAL- STAINLESS STEEL

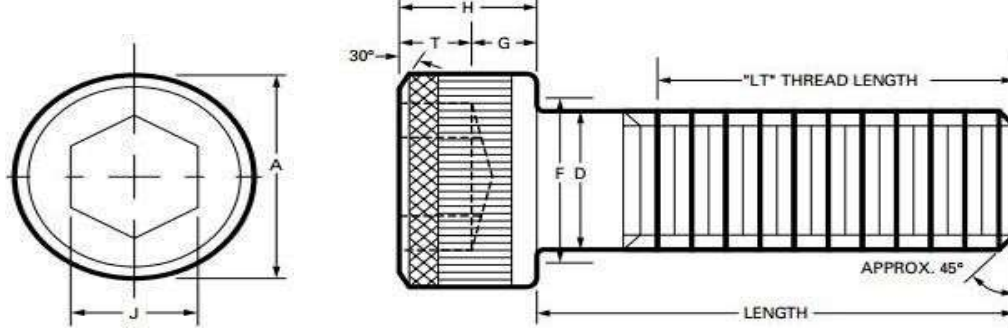
GRADE-SS316 (A4-70)

AS PER-ASME B18.3-1

CATALOGUE NO. R6C39v

INSTALLATION GUIDE

- SELECT THE CORRECT SIZE OF ALLEN SHCS SCREW AND MATCHING ALLEN KEY/HEX WRENCH.
- CHECK THAT THE MATING HOLE OR THREAD IS CLEAN AND FREE FROM DUST, OIL, OR DEBRIS.
- POSITION THE COMPONENTS TO BE FASTENED IN PROPER ALIGNMENT.
- INSERT THE ALLEN SHCS SCREW INTO THE HOLE OR THREAD BY HAND TO AVOID CROSS THREADING.
- USE THE ALLEN KEY/HEX WRENCH TO TURN THE SCREW CLOCKWISE AND BEGIN TIGHTENING.
- APPLY STEADY FORCE TO ENSURE THE SCREW SEATS EVENLY WITHOUT DAMAGING THE SOCKET.
- DO NOT OVERTIGHTEN TO PREVENT THREAD DAMAGE OR MATERIAL DISTORTION.
- USE A TORQUE WRENCH IF SPECIFIC TORQUE REQUIREMENTS ARE PROVIDED.
- FOR HIGH-STRENGTH OR VIBRATION APPLICATIONS, USE WASHERS OR THREAD LOCKING COMPOUNDS AS NEEDED.
- VERIFY THAT THE ALLEN SHCS SCREW IS FIRMLY SECURED AND FLUSH WITH THE SURFACE.



Note: Head may be plain or knurled

THREAD CLASS 2A

UNF SERIES

Dim↓ Size→	2-64	4-48	6-40	8-36	10-32	1/4-28	
Head Dia A	max	0.140	0.183	0.226	0.270	0.312	0.375
	min	0.134	0.176	0.216	0.257	0.298	0.354
Major Dia D	max	0.086	0.112	0.138	0.164	0.190	0.250
	min	0.082	0.1075	0.1329	0.1585	0.1840	0.244
Head Height H	max	0.086	0.112	0.138	0.164	0.190	0.250
	min	0.083	0.108	0.134	0.159	0.185	0.244
Socket J	0.078	0.094	0.109	0.141	0.156	0.188	
Key Size	5/64	3/32	7/64	9/64	5/32	3/16	

Quote the PART NUMBER given below with your order/ inquiries:

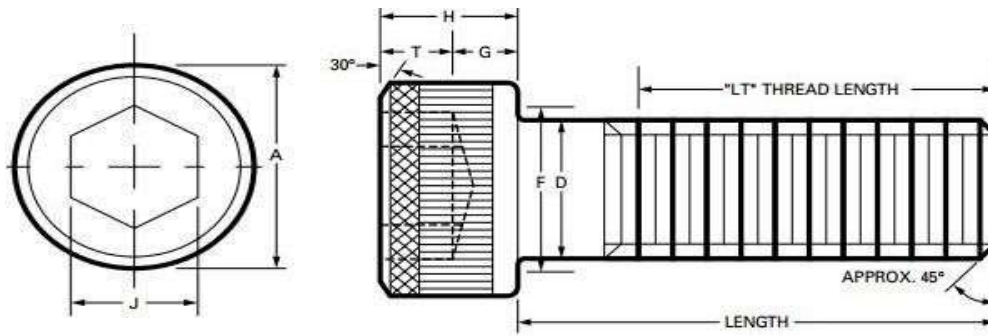
All Dimensions in mm

Length↓ Size→	2-64	4-48	6-40	8-36	10-32	1/4-28
1/4"	R6C39v26462	R6C39v44862	R6C39v64062	R6C39v83662	R6C39v13262	
5/16"	R6C39v26479	R6C39v44879	R6C39v64079	R6C39v83679	R6C39v13279	
3/8"	R6C39v26491	R6C39v44891	R6C39v64091	R6C39v83691	R6C39v13291	R6C39v62091
1/2"	R6C39v26413	R6C39v44813	R6C39v64013	R6C39v83613	R6C39v13213	R6C39v62013
5/8"	R6C39v26415	R6C39v44815	R6C39v64015	R6C39v83615	R6C39v13215	R6C39v62015
3/4"	R6C39v26419	R6C39v44819	R6C39v64019	R6C39v83619	R6C39v13219	R6C39v62019
7/8"	R6C39v26423	R6C39v44823	R6C39v64023	R6C39v83623	R6C39v13223	R6C39v62023
1"	R6C39v26425	R6C39v44825	R6C39v64025	R6C39v83625	R6C39v13225	R6C39v62025
1-1/4"		R6C39v44831	R6C39v64031	R6C39v83631	R6C39v13231	R6C39v62031
1-1/2"		R6C39v44838	R6C39v64038	R6C39v83638	R6C39v13238	R6C39v62038
1-3/4"		R6C39v44844	R6C39v64044	R6C39v83644	R6C39v13244	R6C39v62044
2"		R6C39v44851	R6C39v64051	R6C39v83651	R6C39v13251	R6C39v62051
2-1/4"		R6C39v44856	R6C39v64056	R6C39v83656	R6C39v13256	R6C39v62056
2-1/2"					R6C39v13263	R6C39v62063
3"						R6C39v62076
3-1/2"						R6C39v62089
4"						R6C39v62102

Sizes in BLUE are non-preferred. Availability is limited and MOQ is applied. Data is strictly informative

Note: All Austenitic Stainless-Steel Fasteners may exhibit some Magnetic Properties due to the Manufacturing Process.

Refer: ISO 3506-2 Annex F



Note: Head may be plain or knurled

THREAD CLASS 2A

UNF SERIES

Dim↓ Size→	5/16-24	3/8-24	7/16-20	1/2-20	5/8-18	3/4-16
Head Dia A	max	0.469	0.562	0.656	0.750	1.125
	min	0.446	0.540	0.631	0.725	1.094
Major Dia D	max	0.3125	0.375	0.4375	0.500	0.750
	min	0.3053	0.3678	0.4294	0.4919	0.7406
Head Height H	max	0.312	0.375	0.438	0.500	0.750
	min	0.306	0.368	0.430	0.492	0.740
Socket J	0.250	0.312	0.375	0.375	0.500	0.625
Key Size	1/4	5/16	3/8	3/8	1/2	5/8

Quote the PART NUMBER given below with your order/ inquiries:

All Dimensions in mm

Length↓ Size→	5/16-24	3/8-24	7/16-20	1/2-20	5/8-18	3/4-16
3/8"	R6C39v79019					
1/2"	R6C39v79013	R6C39v91013	R6C39v11013			
5/8"	R6C39v79015	R6C39v91015	R6C39v11015	R6C39v13015		
3/4"	R6C39v79019	R6C39v91019	R6C39v11019	R6C39v13019		
7/8"	R6C39v79023	R6C39v91023	R6C39v11023	R6C39v13023		
1"	R6C39v79025	R6C39v91025	R6C39v11025	R6C39v13025	R6C39v15025	R6C39v19025
1-1/4"	R6C39v79031	R6C39v91031	R6C39v11031	R6C39v13031	R6C39v15031	R6C39v19031
1-1/2"	R6C39v79038	R6C39v91038	R6C39v11038	R6C39v13038	R6C39v15038	R6C39v19038
1-3/4"	R6C39v79044	R6C39v91044	R6C39v11044	R6C39v13044	R6C39v15044	R6C39v19044
2"	R6C39v79051	R6C39v91051	R6C39v11051	R6C39v13051	R6C39v15051	R6C39v19051
2-1/4"	R6C39v79056	R6C39v91056	R6C39v11056	R6C39v13056	R6C39v15056	R6C39v19056
2-1/2"	R6C39v79063	R6C39v91063	R6C39v11063	R6C39v13063	R6C39v15063	R6C39v19063
3"	R6C39v79076	R6C39v91076	R6C39v11076	R6C39v13076	R6C39v15076	R6C39v19076
3-1/2"	R6C39v79089	R6C39v91089	R6C39v11089	R6C39v13089	R6C39v15089	R6C39v19089
4"	R6C39v79102	R6C39v91102	R6C39v11102	R6C39v13102	R6C39v15102	R6C39v19102
5"	R6C39v79126	R6C39v91126	R6C39v11126	R6C39v13126	R6C39v15126	R6C39v19126

Sizes in BLUE are non-preferred. Availability is limited and MOQ is applied. Data is strictly informative

Note: All Austenitic Stainless-Steel Fasteners may exhibit some Magnetic Properties due to the Manufacturing Process.

Refer: ISO 3506-2 Annex F