



GST NO.: 29AHZPU5620Q1ZZ

An ISO 9001:2015 Certified Company

ROYAL INDUSTRIAL SUPPLIERS

QUALITY FASTENERS SPECIALIST



8310165941 / 9959457863



sales@royalfastenersindia.com



www.royalfastenersindia.com

TECHNICAL DATA SHEET

ALLEN SOCKET HEAD CAP SCREW (SHCS)



MATERIAL- STAINLESS STEEL

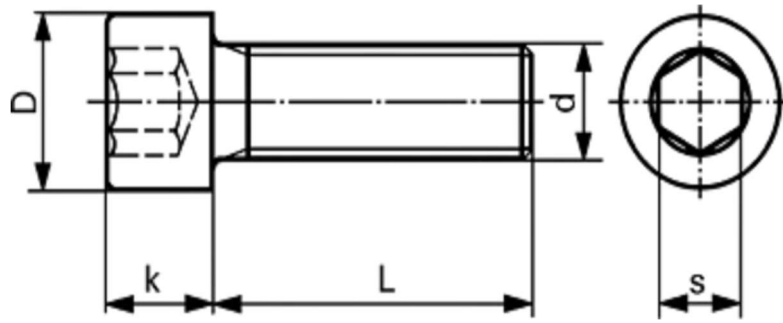
GRADE-SS316 (A4-70)

AS PER-BS-2470

CATALOGUE NO. R6C39i

INSTALLATION GUIDE

- SELECT THE CORRECT SIZE OF ALLEN SHCS SCREW AND MATCHING ALLEN KEY/HEX WRENCH.
- CHECK THAT THE MATING HOLE OR THREAD IS CLEAN AND FREE FROM DUST, OIL, OR DEBRIS.
- POSITION THE COMPONENTS TO BE FASTENED IN PROPER ALIGNMENT.
- INSERT THE ALLEN SHCS SCREW INTO THE HOLE OR THREAD BY HAND TO AVOID CROSS THREADING.
- USE THE ALLEN KEY/HEX WRENCH TO TURN THE SCREW CLOCKWISE AND BEGIN TIGHTENING.
- APPLY STEADY FORCE TO ENSURE THE SCREW SEATS EVENLY WITHOUT DAMAGING THE SOCKET.
- DO NOT OVERTIGHTEN TO PREVENT THREAD DAMAGE OR MATERIAL DISTORTION.
- USE A TORQUE WRENCH IF SPECIFIC TORQUE REQUIREMENTS ARE PROVIDED.
- FOR HIGH-STRENGTH OR VIBRATION APPLICATIONS, USE WASHERS OR THREAD LOCKING COMPOUNDS AS NEEDED.
- VERIFY THAT THE ALLEN SHCS SCREW IS FIRMLY SECURED AND FLUSH WITH THE SURFACE.



BSW SERIES

Note: Head may be plain or knurled

Size →	3/16"-24	1/4"-20	5/16"-18	3/8"-16	7/16"-14	1/2"-12	9/16"-12
D (Head Dia)	0.312	0.375	0.437	0.562	0.625	0.750	0.812
Socket A/F s	5/32"	3/16"	7/32"	5/16"	5/16"	3/8"	3/8"
k (Head Thk)	0.187	0.250	0.312	0.375	0.437	0.500	0.562

Quote the PART NUMBER given below with your order/ inquiries:

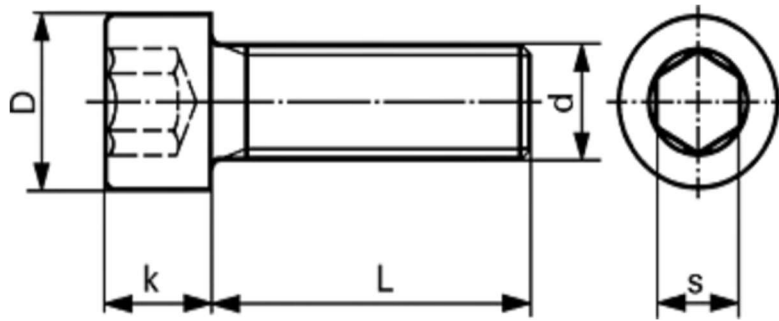
All Dimensions in mm

Dia→ Length↓	3/16"-24	1/4"-20	5/16"-18	3/8"-16	7/16"-14	1/2"-12	9/16"-12
3/8"	R6C39i48091	R6C39i62091	R6C39i79091				
7/16"	R6C39i48011	R6C39i62011	R6C39i79011	R6C39i91011			
1/2"	R6C39i48013	R6C39i62013	R6C39i79013	R6C39i91013			
9/16"	R6C39i48014	R6C39i62014	R6C39i79014	R6C39i91014	R6C39i11014		
5/8"	R6C39i48015	R6C39i62015	R6C39i79015	R6C39i91015	R6C39i11015	R6C39i13015	
3/4"	R6C39i48019	R6C39i62019	R6C39i79019	R6C39i91019	R6C39i11019	R6C39i13019	R6C39i14019
7/8"	R6C39i48023	R6C39i62023	R6C39i79023	R6C39i91023	R6C39i11023	R6C39i13023	R6C39i14023
1"	R6C39i48025	R6C39i62025	R6C39i79025	R6C39i91025	R6C39i11025	R6C39i13025	R6C39i14025
1 1/8"	R6C39i48028	R6C39i62028	R6C39i79028	R6C39i91028	R6C39i11028	R6C39i13028	R6C39i14028
1 1/4"	R6C39i48031	R6C39i62031	R6C39i79031	R6C39i91031	R6C39i11031	R6C39i13031	R6C39i14031
1 1/2"	R6C39i48038	R6C39i62038	R6C39i79038	R6C39i91038	R6C39i11038	R6C39i13038	R6C39i14038
1 5/8"	R6C39i48041	R6C39i62041	R6C39i79041	R6C39i91041	R6C39i11041	R6C39i13041	R6C39i14041
1 3/4"	R6C39i48044	R6C39i62044	R6C39i79044	R6C39i91044	R6C39i11044	R6C39i13044	R6C39i14044
2"	R6C39i48051	R6C39i62051	R6C39i79051	R6C39i91051	R6C39i11051	R6C39i13051	R6C39i14051
2 1/4"	R6C39i48056	R6C39i62056	R6C39i79056	R6C39i91056	R6C39i11056	R6C39i13056	R6C39i14056
2 1/2"	R6C39i48063	R6C39i62063	R6C39i79063	R6C39i91063	R6C39i11063	R6C39i13063	R6C39i14063
2 3/4"	R6C39i48069	R6C39i62069	R6C39i79069	R6C39i91069	R6C39i11069	R6C39i13069	R6C39i14069
3"	R6C39i48076	R6C39i62076	R6C39i79076	R6C39i91076	R6C39i11076	R6C39i13076	R6C39i14076
3 1/4"	R6C39i48082	R6C39i62082	R6C39i79082	R6C39i91082	R6C39i11082	R6C39i13082	R6C39i14082
3 1/2"	R6C39i48089	R6C39i62089	R6C39i79089	R6C39i91089	R6C39i11089	R6C39i13089	R6C39i14089
3 3/4"	R6C39i48096	R6C39i62096	R6C39i79096	R6C39i91096	R6C39i11096	R6C39i13096	R6C39i14096
4"	R6C39i62102	R6C39i62102	R6C39i79102	R6C39i91102	R6C39i11102	R6C39i13102	R6C39i14102
4 1/2"		R6C39i62114	R6C39i79114	R6C39i91114	R6C39i11114	R6C39i13114	R6C39i14114
5"		R6C39i62126	R6C39i79126	R6C39i91126	R6C39i11126	R6C39i13126i	R6C39i14126
5 1/2"		R6C39i62139	R6C39i79139	R6C39i91139	R6C39i11136	R6C39i13136	R6C39i14139
6"		R6C39i62152	R6C39i79152	R6C39i91152	R6C39i11152	R6C39i13152	R6C39i14152
6 1/2"				R6C39i91165	R6C39i11165	R6C39i13165	R6C39i14165
7"				R6C39i91178	R6C39i11178	R6C39i13178	R6C39i14178
8"				R6C39i91200	R6C39i11200	R6C39i13200	R6C39i14200

Sizes in BLUE are non-preferred. Availability is limited and MOQ is applied. *Data is strictly informative*

Note: All Austenitic Stainless-Steel Fasteners may exhibit some Magnetic Properties due to the Manufacturing Process.

Refer: ISO 3506-2 Annex F



BSW SERIES

Note: Head may be plain or knurled

Size →	5/8"-11	3/4"-10	7/8"-9	1"-8	1-1/8"-7	1-1/4"-7	1-1/2"-6
D (Head Dia)	0.875	1.000	1.250	1.312	1.500	1.750	2.000
Socket A/F s	1/2"	9/16"	9/16"	5/8"	3/4"	3/4"	1"
k (Head Thk)	0.625	0.750	0.875	1.000	1.125	1.250	1.500

Quote the PART NUMBER given below with your order/ inquiries:

All Dimensions in mm

Dia→ Length↓	5/8"-11	3/4"-10	7/8"-9	1"-8	1-1/8"-7	1-1/4"-7	1-1/2"-6
1"	R6C39i15025	R6C39i19025					
1 1/8"	R6C39i15028	R6C39i19028					
1 1/4"	R6C39i15031	R6C39i19031	R6C39i23031	R6C39i25031			
1 1/2"	R6C39i15038	R6C39i19038	R6C39i23038	R6C39i25038	R6C39i28038		
1 5/8"	R6C39i15041	R6C39i19041	R6C39i23041	R6C39i25041	R6C39i28041	R6C39i31041	
1 3/4"	R6C39i15044	R6C39i19044	R6C39i23044	R6C39i25044	R6C39i28044	R6C39i31044	
2"	R6C39i15051	R6C39i19051	R6C39i23051	R6C39i25051	R6C39i28051	R6C39i31051	
2 1/4"	R6C39i15056	R6C39i19056	R6C39i23056	R6C39i25056	R6C39i28056	R6C39i31056	R6C39i38056
2 1/2"	R6C39i15063	R6C39i19063	R6C39i23063	R6C39i25063	R6C39i28063	R6C39i31063	R6C39i38063
2 3/4"	R6C39i15069	R6C39i19069	R6C39i23069	R6C39i25069	R6C39i28069	R6C39i31069	R6C39i38069
3"	R6C39i15076	R6C39i19076	R6C39i23076	R6C39i25076	R6C39i28076	R6C39i31076	R6C39i38076
3 1/4"	R6C39i15082	R6C39i19082	R6C39i23082	R6C39i25082	R6C39i28082	R6C39i31082	R6C39i38082
3 1/2"	R6C39i15089	R6C39i19089	R6C39i23089	R6C39i25089	R6C39i28089	R6C39i31089	R6C39i38089
3 3/4"	R6C39i15096	R6C39i19096	R6C39i23096	R6C39i25096	R6C39i28096	R6C39i31096	R6C39i38096
4"	R6C39i15102	R6C39i19102	R6C39i23102	R6C39i25102	R6C39i28102	R6C39i31102	R6C39i38102
4 1/2"	R6C39i15114	R6C39i19114	R6C39i23114	R6C39i25114	R6C39i28114	R6C39i31114	R6C39i38114
5"	R6C39i15126	R6C39i19126	R6C39i23126	R6C39i25126	R6C39i28126	R6C39i31126	R6C39i38126
5 1/2"	R6C39i15139	R6C39i19139	R6C39i23139	R6C39i25139	R6C39i28139	R6C39i31139	R6C39i38139
6"	R6C39i15152	R6C39i19152	R6C39i23152	R6C39i25152	R6C39i28152	R6C39i31152	R6C39i38152
6 1/2"	R6C39i15165	R6C39i19165	R6C39i23165	R6C39i25165	R6C39i28165	R6C39i31165	R6C39i38165
7"	R6C39i15178	R6C39i19178	R6C39i23178	R6C39i25178	R6C39i28178	R6C39i31178	R6C39i38178
8"	R6C39i15200	R6C39i19200	R6C39i23200	R6C39i25200	R6C39i28200	R6C39i31200	R6C39i38200

Sizes in BLUE are non-preferred. Availability is limited and MOQ is applied. *Data is strictly informative*

Note: All Austenitic Stainless-Steel Fasteners may exhibit some Magnetic Properties due to the Manufacturing Process.

Refer: ISO 3506-2 Annex F