



GST NO.: 29AHZPU5620Q1ZZ

An ISO 9001:2015 Certified Company

# ROYAL INDUSTRIAL SUPPLIERS

QUALITY FASTENERS SPECIALIST



8310165941 / 9959457863



sales@royalfastenersindia.com



www.royalfastenersindia.com

## TECHNICAL DATA SHEET

### ALLEN BUTTON HEAD CAP SCREW (BHCS)



MATERIAL- STAINLESS STEEL

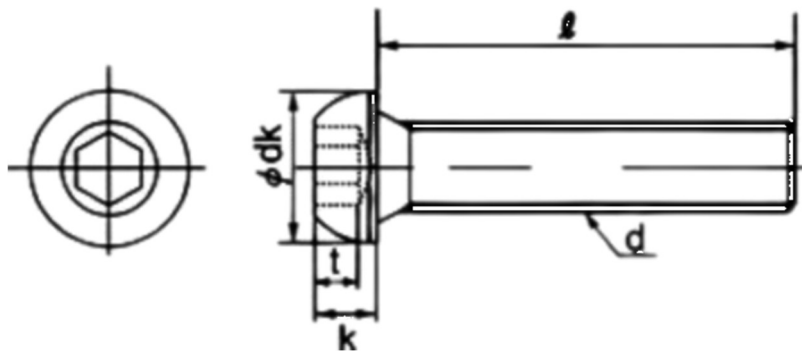
GRADE-SS304 (A2-70)

AS PER-ISO-7380-1

CATALOGUE NO. R4C22

### INSTALLATION GUIDE

- **SELECT THE CORRECT SIZE OF ALLEN BHCS SCREW AND MATCHING ALLEN KEY/HEX WRENCH.**
- **CHECK THAT THE MATING HOLE OR THREAD IS CLEAN AND FREE FROM DUST, OIL, OR DEBRIS.**
- **POSITION THE COMPONENTS TO BE FASTENED IN PROPER ALIGNMENT.**
- **INSERT THE ALLEN BHCS SCREW INTO THE HOLE BY HAND TO AVOID CROSS THREADING.**
- **USE THE ALLEN KEY/HEX WRENCH TO TIGHTEN THE SCREW CLOCKWISE.**
- **APPLY STEADY AND EVEN FORCE TO AVOID DAMAGING THE SOCKET.**
- **DO NOT OVERTIGHTEN TO PREVENT STRIPPING THREADS OR DISTORTING THE MATERIAL.**
- **USE A TORQUE WRENCH IF SPECIFIC TORQUE VALUES ARE PROVIDED.**
- **FOR VIBRATION-PRONE APPLICATIONS, CONSIDER USING A WASHER OR THREAD LOCKING COMPOUND.**
- **VERIFY THAT THE ALLEN BHCS SCREW IS FIRMLY SECURED AND THE BUTTON HEAD IS PROPERLY SEATED ON THE SURFACE.**



Parameter↓	Size→	M2	M2.5	M3	M4	M5
Pitch		0.40	0.45	0.50	0.70	0.80
Head Dia (dk)	Max	3.40	4.60	5.70	7.60	9.50
	Min	3.15	4.30	5.30	7.20	9.10
Head Thickness (k)	Max	1.35	1.55	1.90	2.25	2.80
	Min	1.10	1.30	1.40	1.95	2.50
Socket Size		1.30	1.50	2.00	2.50	3.00

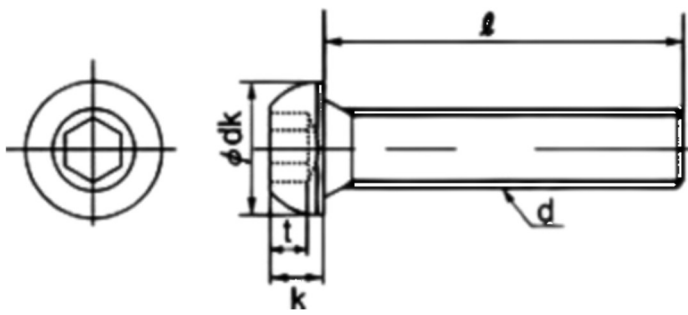
Quote the PART NUMBER given below with your order/ inquiries:

All Dimensions in mm

Length↓	Size→	M2x0.4	M2.5x0.45	M3x0.5	M4x0.7	M5x0.8
3		R4C2202003	R4C2220503	R4C2203003		
4		R4C2202004	R4C2220504	R4C2203004	R4C2204004	
5		R4C2202005	R4C2220505	R4C2203005	R4C2204005	R4C2205005
6		R4C2202006	R4C2220506	R4C2203006	R4C2204006	R4C2205006
8		R4C2202008	R4C2220508	R4C2203008	R4C2204008	R4C2205008
10		R4C2202010	R4C2220510	R4C2203010	R4C2204010	R4C2205010
12		R4C2202012	R4C2220512	R4C2203012	R4C2204012	R4C2205012
14		R4C2202014	R4C2220514	R4C2203014	R4C2204014	R4C2205014
16		R4C2202016	R4C2220516	R4C2203016	R4C2204016	R4C2205016
18		R4C2202018	R4C2220518	R4C2203018	R4C2204018	R4C2205018
20		R4C2202020	R4C2220520	R4C2203020	R4C2204020	R4C2205020
22				R4C2203022	R4C2204022	R4C2205022
25				R4C2203025	R4C2204025	R4C2205025
30				R4C2203030	R4C2204030	R4C2205030
35				R4C2203035	R4C2204035	R4C2205035
40				R4C2203040	R4C2204040	R4C2205040
45				R4C2203045	R4C2204045	R4C2205045
50				R4C2203050	R4C2204050	R4C2205050
55				R4C2203055	R4C2204055	R4C2205055
60				R4C2203060	R4C2204060	R4C2205060
65				R4C2203065	R4C2204065	R4C2205065
70				R4C2203070	R4C2204070	R4C2205070
75				R4C2203075	R4C2204075	R4C2205075
80				R4C2203080	R4C2204080	R4C2205080
90				R4C2203090	R4C2204090	R4C2205090
100				R4C2203100	R4C2204100	R4C2205100

Sizes in BLUE are non-preferred. Availability is limited and MOQ is applied. **Data is strictly informative**

Note: All Austenitic Stainless-Steel Fasteners may exhibit some Magnetic Properties due to the Manufacturing Process.  
Refer: ISO 3506-2 Annex F



Parameter↓	Size→	M6X1.0	M8X1.25	M10X1.5	M12X1.75	M16X2.0
Pitch		1.00	1.25	1.50	1.75	2.00
Head Dia (dk)	Max	10.50	14.00	17.50	21.00	28.00
	Min	10.00	13.50	17.00	20.40	27.40
Head Thickness (k)	Max	3.35	4.50	5.55	6.65	8.90
	Min	3.00	4.10	5.20	6.20	8.40
Socket size		4.0	5.0	6.0	8.0	10.0

Quote the PART NUMBER given below with your order/ inquiries:

All Dimensions in mm

Length↓	Size→	M6x1.0	M8x1.25	M10x1.5	M12x1.75	M16x2.0
6		R4C2206006				
8		R4C2206008	R4C2208008			
10		R4C2206010	R4C2208010			
12		R4C2206012	R4C2208012	R4C2210012		
14		R4C2206014	R4C2208014	R4C2210014		
16		R4C2206016	R4C2208016	R4C2210016	R4C2212016	
18		R4C2206018	R4C2208018	R4C2210018	R4C2212018	
20		R4C2206020	R4C2208020	R4C2210020	R4C2212020	
22		R4C2206022	R4C2208022	R4C2210022	R4C2212022	
25		R4C2206025	R4C2208025	R4C2210025	R4C2212025	R4C2216025
30		R4C2206030	R4C2208030	R4C2210030	R4C2212030	R4C2216030
35		R4C2206035	R4C2208035	R4C2210035	R4C2212035	R4C2216035
40		R4C2206040	R4C2208040	R4C2210040	R4C2212040	R4C2216040
45		R4C2206045	R4C2208045	R4C2210045	R4C2212045	R4C2216045
50		R4C2206050	R4C2208050	R4C2210050	R4C2212050	R4C2216050
55		R4C2206055	R4C2208055	R4C2210055	R4C2212055	R4C2216055
60		R4C2206060	R4C2208060	R4C2210060	R4C2212060	R4C2216060
65		R4C2206065	R4C2208065	R4C2210065	R4C2212065	R4C2216065
70		R4C2206070	R4C2208070	R4C2210070	R4C2212070	R4C2216070
75		R4C2206075	R4C2208075	R4C2210075	R4C2212075	R4C2216075
80		R4C2206080	R4C2208080	R4C2210080	R4C2212080	R4C2216080
90		R4C2206090	R4C2208090	R4C2210090	R4C2212090	R4C2216090
100		R4C2206100	R4C2208100	R4C2210100	R4C2212100	R4C2216100
110		R4C2206110	R4C2208110	R4C2210110	R4C2212110	R4C2216110
120		R4C2206120	R4C2208120	R4C2210120	R4C2212120	R4C2216120

Sizes in BLUE are non-preferred. Availability is limited and MOQ is applied *Data is strictly informative*

Note: All Austenitic Stainless-Steel Fasteners may exhibit some Magnetic Properties due to the Manufacturing Process.

Refer: ISO 3506-2 Annex F