



GST NO.: 29AHZPU5620Q1ZZ

An ISO 9001:2015 Certified Company

ROYAL INDUSTRIAL SUPPLIERS

QUALITY FASTENERS SPECIALIST



8310165941 / 9959457863



sales@royalfastenersindia.com



www.royalfastenersindia.com

TECHNICAL DATA SHEET

ALLEN BUTTON HEAD CAP SCREW (BHCS)



MATERIAL- STAINLESS STEEL

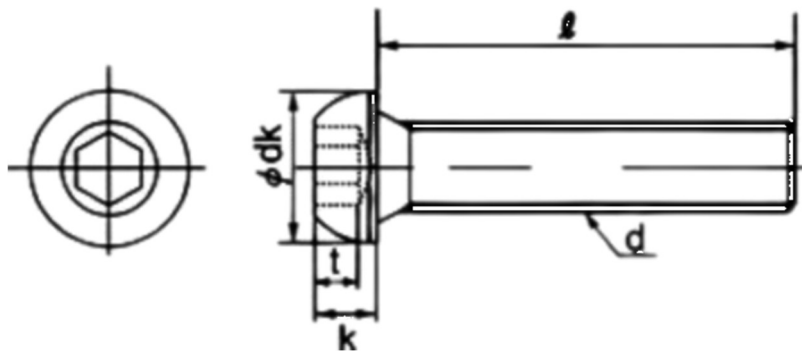
GRADE-SS316 (A4-70)

AS PER-ISO-7380-1

CATALOGUE NO. R6C22

INSTALLATION GUIDE

- SELECT THE CORRECT SIZE OF ALLEN BHCS SCREW AND MATCHING ALLEN KEY/HEX WRENCH.
- CHECK THAT THE MATING HOLE OR THREAD IS CLEAN AND FREE FROM DUST, OIL, OR DEBRIS.
- POSITION THE COMPONENTS TO BE FASTENED IN PROPER ALIGNMENT.
- INSERT THE ALLEN BHCS SCREW INTO THE HOLE BY HAND TO AVOID CROSS THREADING.
- USE THE ALLEN KEY/HEX WRENCH TO TIGHTEN THE SCREW CLOCKWISE.
- APPLY STEADY AND EVEN FORCE TO AVOID DAMAGING THE SOCKET.
- DO NOT OVERTIGHTEN TO PREVENT STRIPPING THREADS OR DISTORTING THE MATERIAL.
- USE A TORQUE WRENCH IF SPECIFIC TORQUE VALUES ARE PROVIDED.
- FOR VIBRATION-PRONE APPLICATIONS, CONSIDER USING A WASHER OR THREAD LOCKING COMPOUND.
- VERIFY THAT THE ALLEN BHCS SCREW IS FIRMLY SECURED AND THE BUTTON HEAD IS PROPERLY SEATED ON THE SURFACE.



Parameter↓	Size→	M2	M2.5	M3	M4	M5
Pitch		0.40	0.45	0.50	0.70	0.80
Head Dia (dk)	Max	3.40	4.60	5.70	7.60	9.50
	Min	3.15	4.30	5.30	7.20	9.10
Head Thickness (k)	Max	1.35	1.55	1.90	2.25	2.80
	Min	1.10	1.30	1.40	1.95	2.50
Socket Size		1.30	1.50	2.00	2.50	3.00

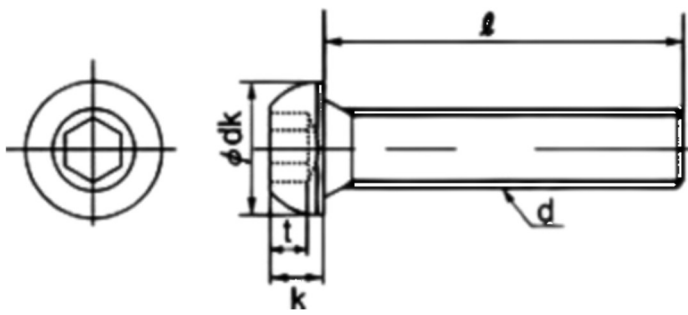
Quote the PART NUMBER given below with your order/ inquiries:

All Dimensions in mm

Length↓	Size→	M2x0.4	M2.5x0.45	M3x0.5	M4x0.7	M5x0.8
3		R6C2202003	R6C2220503	R6C2203003		
4		R6C2202004	R6C2220504	R6C2203004	R6C2204004	
5		R6C2202005	R6C2220505	R6C2203005	R6C2204005	R6C2205005
6		R6C2202006	R6C2220506	R6C2203006	R6C2204006	R6C2205006
8		R6C2202008	R6C2220508	R6C2203008	R6C2204008	R6C2205008
10		R6C2202010	R6C2220510	R6C2203010	R6C2204010	R6C2205010
12		R6C2202012	R6C2220512	R6C2203012	R6C2204012	R6C2205012
14		R6C2202014	R6C2220514	R6C2203014	R6C2204014	R6C2205014
16		R6C2202016	R6C2220516	R6C2203016	R6C2204016	R6C2205016
18		R6C2202018	R6C2220518	R6C2203018	R6C2204018	R6C2205018
20		R6C2202020	R6C2220520	R6C2203020	R6C2204020	R6C2205020
22				R6C2203022	R6C2204022	R6C2205022
25				R6C2203025	R6C2204025	R6C2205025
30				R6C2203030	R6C2204030	R6C2205030
35				R6C2203035	R6C2204035	R6C2205035
40				R6C2203040	R6C2204040	R6C2205040
45				R6C2203045	R6C2204045	R6C2205045
50				R6C2203050	R6C2204050	R6C2205050
55				R6C2203055	R6C2204055	R6C2205055
60				R6C2203060	R6C2204060	R6C2205060
65				R6C2203065	R6C2204065	R6C2205065
70				R6C2203070	R6C2204070	R6C2205070
75				R6C2203075	R6C2204075	R6C2205075
80				R6C2203080	R6C2204080	R6C2205080
90				R6C2203090	R6C2204090	R6C2205090
100				R6C2203100	R6C2204100	R6C2205100

Sizes in BLUE are non-preferred. Availability is limited and MOQ is applied. **Data is strictly informative**

Note: All Austenitic Stainless-Steel Fasteners may exhibit some Magnetic Properties due to the Manufacturing Process.
Refer: ISO 3506-2 Annex F



Parameter↓	Size→	M6X1.0	M8X1.25	M10X1.5	M12X1.75	M16X2.0
Pitch		1.00	1.25	1.50	1.75	2.00
Head Dia (dk)	Max	10.50	14.00	17.50	21.00	28.00
	Min	10.00	13.50	17.00	20.40	27.40
Head Thickness (k)	Max	3.35	4.50	5.55	6.65	8.90
	Min	3.00	4.10	5.20	6.20	8.40
Socket size		4.0	5.0	6.0	8.0	10.0

Quote the PART NUMBER given below with your order/ inquiries:

All Dimensions in mm

Length↓	Size→	M6x1.0	M8x1.25	M10x1.5	M12x1.75	M16x2.0
6		R6C2206006				
8		R6C2206008	R6C2208008			
10		R6C2206010	R6C2208010			
12		R6C2206012	R6C2208012	R6C2210012		
14		R6C2206014	R6C2208014	R6C2210014		
16		R6C2206016	R6C2208016	R6C2210016	R6C2212016	
18		R6C2206018	R6C2208018	R6C2210018	R6C2212018	
20		R6C2206020	R6C2208020	R6C2210020	R6C2212020	
22		R6C2206022	R6C2208022	R6C2210022	R6C2212022	
25		R6C2206025	R6C2208025	R6C2210025	R6C2212025	R6C2216025
30		R6C2206030	R6C2208030	R6C2210030	R6C2212030	R6C2216030
35		R6C2206035	R6C2208035	R6C2210035	R6C2212035	R6C2216035
40		R6C2206040	R6C2208040	R6C2210040	R6C2212040	R6C2216040
45		R6C2206045	R6C2208045	R6C2210045	R6C2212045	R6C2216045
50		R6C2206050	R6C2208050	R6C2210050	R6C2212050	R6C2216050
55		R6C2206055	R6C2208055	R6C2210055	R6C2212055	R6C2216055
60		R6C2206060	R6C2208060	R6C2210060	R6C2212060	R6C2216060
65		R6C2206065	R6C2208065	R6C2210065	R6C2212065	R6C2216065
70		R6C2206070	R6C2208070	R6C2210070	R6C2212070	R6C2216070
75		R6C2206075	R6C2208075	R6C2210075	R6C2212075	R6C2216075
80		R6C2206080	R6C2208080	R6C2210080	R6C2212080	R6C2216080
90		R6C2206090	R6C2208090	R6C2210090	R6C2212090	R6C2216090
100		R6C2206100	R6C2208100	R6C2210100	R6C2212100	R6C2216100
110		R6C2206110	R6C2208110	R6C2210110	R6C2212110	R6C2216110
120		R6C2206120	R6C2208120	R6C2210120	R6C2212120	R6C2216120

Sizes in BLUE are non-preferred. Availability is limited and MOQ is applied *Data is strictly informative*

Note: All Austenitic Stainless-Steel Fasteners may exhibit some Magnetic Properties due to the Manufacturing Process.

Refer: ISO 3506-2 Annex F