



GST NO.: 29AHZPU5620Q1ZZ

An ISO 9001:2015 Certified Company

# ROYAL INDUSTRIAL SUPPLIERS

QUALITY FASTENERS SPECIALIST



8310165941 / 9959457863



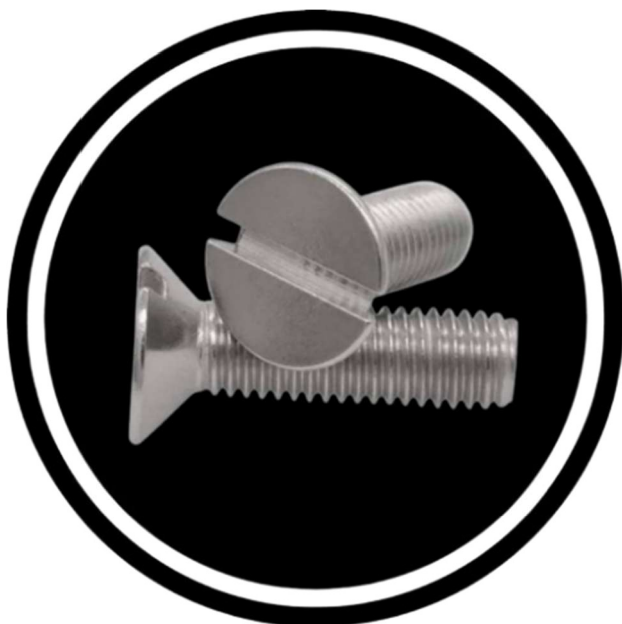
sales@royalfastenersindia.com



www.royalfastenersindia.com

## TECHNICAL DATA SHEET

### MICRO CSK SLOTTED SCREW



MATERIAL- STAINLESS STEEL

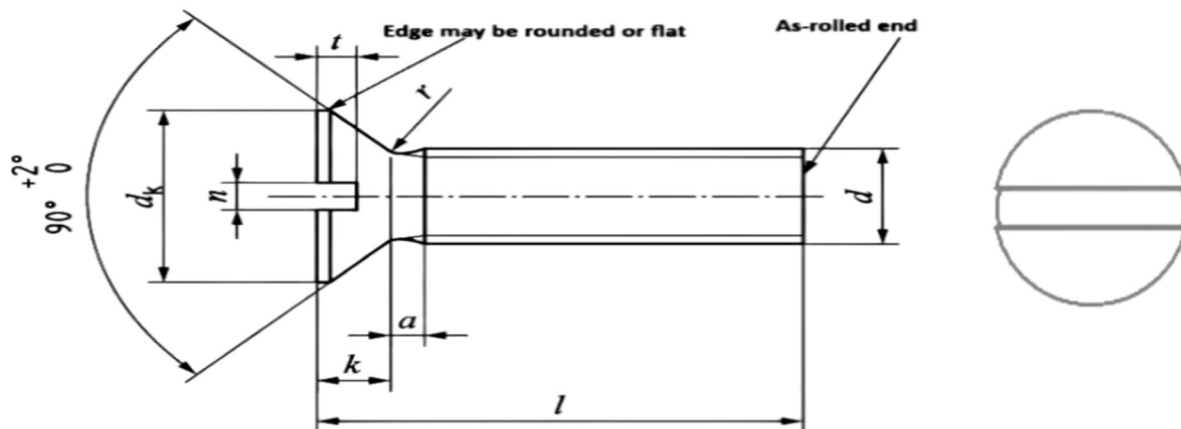
GRADE-SS316 (A4-70)

AS PER- DIN-963

CATALOGUE NO. R6B04

### INSTALLATION GUIDE

- SELECT THE CORRECT SIZE OF CSK SLOTTED MICRO SCREW AND MATCHING PRECISION FLATHEAD SCREWDRIVER.
- ENSURE THE COUNTERSUNK HOLE IS PREPARED TO MATCH THE SCREW HEAD ANGLE FOR A FLUSH FINISH.
- CLEAN THE MATING SURFACE AND HOLE TO REMOVE ANY DUST, OIL, OR FOREIGN PARTICLES.
- HANDLE THE MICRO SCREW CAREFULLY USING TWEEZERS OR A MAGNETIC TOOL TO AVOID LOSS OR DAMAGE.
- ALIGN THE COMPONENTS ACCURATELY BEFORE STARTING INSTALLATION.
- INSERT THE MICRO SCREW INTO THE COUNTERSUNK HOLE BY HAND OR USING A PRECISION TOOL TO START THREADING.
- PLACE THE FLATHEAD SCREWDRIVER FIRMLY INTO THE SLOTTED RECESS OF THE SCREW HEAD.
- TURN THE SCREWDRIVER CLOCKWISE SLOWLY AND EVENLY TO TIGHTEN THE SCREW.
- APPLY GENTLE AND CONTROLLED TORQUE TO PREVENT STRIPPING OR DAMAGING THE MICRO THREADS.
- ENSURE THE SCREW HEAD IS FLUSH WITH THE SURFACE AFTER INSTALLATION FOR A CLEAN FINISH.
- INSPECT THE FINAL INSTALLATION UNDER MAGNIFICATION IF REQUIRED TO VERIFY PROPER SEATING AND ALIGNMENT.



Parameter ↓ size →	M1.0x0.25	M1.2x0.25	M1.4x0.3	M1.6x0.35	M2x0.4	M2.5x0.45	
Head Dia D	Max	1.90	2.30	2.60	3.00	3.80	4.70
	Min	1.76	2.06	2.46	2.86	3.50	4.40
Hd Height k	Max	0.60	0.72	0.84	0.96	1.20	1.50
Slot width n		0.25	0.30	0.30	0.40	0.50	0.60
Slot Depth t max		0.30	0.35	0.40	0.45	0.60	0.70

Quote the PART NUMBER given below with your order/ inquiries:

All Dimensions in mm

Length ↓	Size →	M1.0x0.25	M1.2x0.25	M1.4x0.3	M1.6x0.35	M2x0.4	M2.5x0.45
3		R6B0401003	R6B0410203	R6B0410403	R6B0410603	R6B0402003	R6B0420503
4		R6B0401004	R6B0410204	R6B0410404	R6B0410604	R6B0402004	R6B0420504
5		R6B0401005	R6B0410205	R6B0410405	R6B0410605	R6B0402005	R6B0420505
6		R6B0401006	R6B0410206	R6B0410406	R6B0410606	R6B0402006	R6B0420506
8		R6B0401008	R6B0410208	R6B0410408	R6B0410308	R6B0402008	R6B0420508
10			R6B0410210	R6B0410410	R6B0410610	R6B0402010	R6B0420510
12				R6B0410412	R6B0410612	R6B0402012	R6B0420512
14				R6B0410414	R6B0410614	R6B0402014	R6B0420514
16				R6B0410416	R6B0410616	R6B0402016	R6B0420516
18					R6B0410618	R6B0402018	R6B0420518
20					R6B0410620	R6B0402020	R6B0420520
22						R6B0402022	R6B0420522
25						R6B0402025	R6B0420525
28						R6B0402028	R6B0420528
30						R6B0402030	R6B0420530
35						R6B0402035	R6B0420535
40						R6B0402040	R6B0420540
45						R6B0402045	R6B0420545
50						R6B0402050	R6B0420550

Sizes in BLUE are non-preferred. Availability is limited and MOQ is applied

Data is strictly informative

Note: All Austenitic Stainless-Steel Fasteners may exhibit some Magnetic Properties due to the Manufacturing Process.

Refer: ISO 3506-2 Annex F