



GST NO.: 29AHZPU5620Q1ZZ

An ISO 9001:2015 Certified Company

# ROYAL INDUSTRIAL SUPPLIERS

QUALITY FASTENERS SPECIALIST



8310165941 / 9959457863



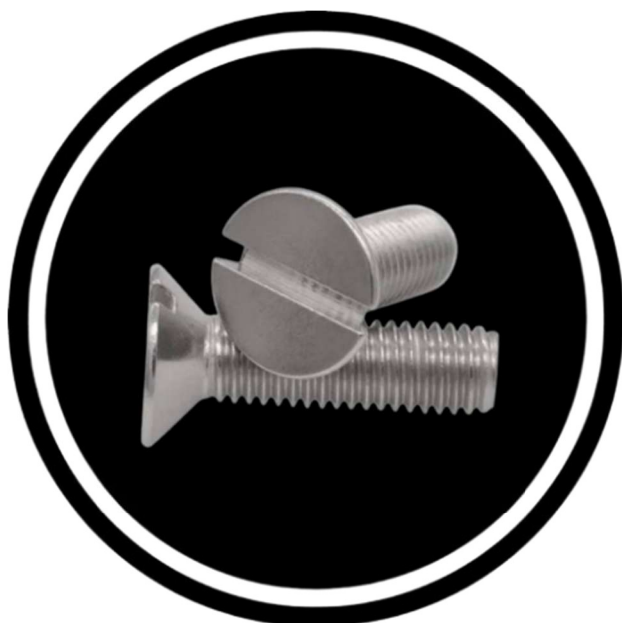
sales@royalfastenersindia.com



www.royalfastenersindia.com

## TECHNICAL DATA SHEET

### CSK HEAD SLOTTED



MATERIAL- STAINLESS STEEL

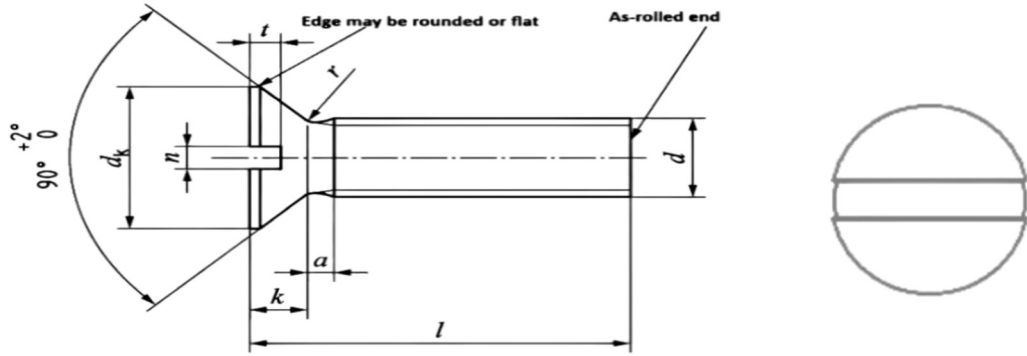
GRADE-SS304 (A2-70)

AS PER-DIN-963

CATALOGUE NO. R4B21

### INSTALLATION GUIDE

- SELECT THE CORRECT SIZE OF PAN HEAD SLOTTED SCREW AND MATCHING FLATHEAD SCREW DRIVER.
- CHECK THAT THE HOLE OR THREAD IS CLEAN AND FREE FROM DUST, OIL, OR DEBRIS.
- POSITION THE COMPONENTS IN PROPER ALIGNMENT BEFORE INSERTING THE SCREW.
- START THREADING THE PAN HEAD SLOTTED SCREW BY HAND TO AVOID CROSS THREADING.
- PLACE THE FLATHEAD SCREWDRIVER FIRMLY INTO THE SLOT OF THE SCREW HEAD.
- TURN THE SCREWDRIVER CLOCKWISE TO TIGHTEN THE SCREW.
- APPLY STEADY AND CONTROLLED FORCE TO PREVENT SLIPPING OR DAMAGING THE SLOT.
- DO NOT OVERTIGHTEN TO AVOID THREAD STRIPPING OR MATERIAL DAMAGE.
- USE A WASHER IF REQUIRED TO DISTRIBUTE LOAD AND PROTECT THE SURFACE.
- INSPECT THE FINAL INSTALLATION TO ENSURE THE PAN HEAD SLOTTED SCREW IS SECURE AND PROPERLY SEATED.



Parameter↓ Size→	M3x0.5	M3.5x0.6	M4x0.7	M5x0.8	
Head Dia D	Max	6.50	7.50	9.20	11.00
	Min	6.14	7.14	8.84	10.57
Head Height k	Max	1.93	2.20	2.50	3.00
Slot width n		0.80	0.80	1.00	1.20
Slot Depth t max		0.85	1.00	1.10	1.30

Quote the PART NUMBER given below with your order/ inquiries:

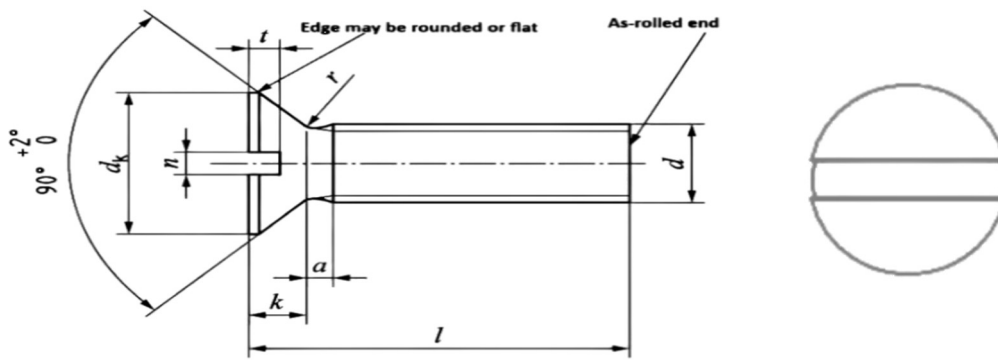
All Dimensions in mm

Length↓	Size→	M3x0.5	M3.5x0.6	M4x0.7	M5x0.8
3		R4B2103003			
4		R4B2103004			
5		R4B2103005	R4B2130505	R4B2104005	
6		R4B2103006	R4B2130506	R4B2104006	R4B2105006
8		R4B2103008	R4B2130508	R4B2104008	R4B2105008
10		R4B2103010	R4B2130510	R4B2104010	R4B2105010
12		R4B2103012	R4B2130512	R4B2104012	R4B2105012
14		R4B2103014	R4B2130514	R4B2104014	R4B2105014
16		R4B2103016	R4B2130516	R4B2104016	R4B2105016
18		R4B2103018	R4B2130518	R4B2104018	R4B2105018
20		R4B2103020	R4B2130520	R4B2104020	R4B2105020
22		R4B2103022	R4B2130522	R4B2104022	R4B2105022
25		R4B2103025	R4B2130525	R4B2104025	R4B2105025
28		R4B2103028	R4B2130528	R4B2104028	R4B2105028
30		R4B2103030	R4B2130530	R4B2104030	R4B2105030
35		R4B2103035		R4B2104035	R4B2105035
40		R4B2103040		R4B2104040	R4B2105040
45		R4B2103045		R4B2104045	R4B2105045
50		R4B2103050		R4B2104050	R4B2105050
55		R4B2103055		R4B2104055	R4B2105055
60		R4B2103060		R4B2104060	R4B2105060
65		R4B2103065		R4B2104065	R4B2105065
70		R4B2103070		R4B2104070	R4B2105070
75		R4B2103075		R4B2104075	R4B2105075
80		R4B2103080		R4B2104080	R4B2105080
90		R4B2103090		R4B2104090	R4B2105090
100		R4B2103100		R4B2104100	R4B2105100

Sizes in BLUE are non-preferred. Availability is limited and MOQ is applied. *Data is strictly informative*

Note: All Austenitic Stainless-Steel Fasteners may exhibit some Magnetic Properties due to the Manufacturing Process.

Refer: ISO 3506-2 Annex F



Parameter↓ Size→		M6x1.0	M8x1.25	M10x1.5	M12x1.75
Head Dia D	Max	14.50	18.00	22.00	5.60
	Min	14.07	17.57	21.48	5.30
Head Height k	Max	4.00	5.00	6.00	1.65
Slot width n		1.60	2.00	2.50	3.00
Slot Depth t max		1.60	2.10	2.60	3.00

Quote the PART NUMBER given below with your order/ inquiries:

All Dimensions in mm

Length↓	Size→	M6x1.0	M8x1.25	M10x1.5	M12x1.75
8		R4B2106008			
10		R4B2106010	R4B2108010		
12		R4B2106012	R4B2108012		
14		R4B2106014	R4B2108014		
16		R4B2106016	R4B2108016	R4B2110016	R4B2112016
18		R4B2106018	R4B2108018	R4B2110018	R4B2112018
20		R4B2106020	R4B2108020	R4B2110020	R4B2112020
22		R4B2106022	R4B2108022	R4B2110022	R4B2112022
25		R4B2106025	R4B2108025	R4B2110025	R4B2112025
28		R4B2106028	R4B2108028	R4B2110028	R4B2112028
30		R4B2106030	R4B2108030	R4B2110030	R4B2112030
35		R4B2106035	R4B2108035	R4B2110035	R4B2112035
40		R4B2106040	R4B2108040	R4B2110040	R4B2112040
45		R4B2106045	R4B2108045	R4B2110045	R4B2112045
50		R4B2106050	R4B2108050	R4B2110050	R4B2112050
55		R4B2106055	R4B2108055	R4B2110055	R4B2112055
60		R4B2106060	R4B2108060	R4B2110060	R4B2112060
65		R4B2106065	R4B2108065	R4B2110065	R4B2112065
70		R4B2106070	R4B2108070	R4B2110070	R4B2112070
75		R4B2106075	R4B2108075	R4B2110075	R4B2112075
80		R4B2106080	R4B2108080	R4B2110080	R4B2112080
90		R4B2106090	R4B2108090	R4B2110090	R4B2112090
100		R4B2106100	R4B2108100	R4B2110100	R4B2112100
120		R4B2106120	R4B2108120	R4B2110120	R4B2112120
130			R4B2108130	R4B2110130	R4B2112130
140			R4B2108140	R4B2110140	R4B2112140
150			R4B2108150	R4B2110150	R4B2112150

Sizes in BLUE are non-preferred. Availability is limited and MOQ is applied. *Data is strictly informative*

Note: All Austenitic Stainless-Steel Fasteners may exhibit some Magnetic Properties due to the Manufacturing Process.

Refer: ISO 3506-2 Annex F