



GST NO.: 29AHZPU5620Q1ZZ

An ISO 9001:2015 Certified Company

# ROYAL INDUSTRIAL SUPPLIERS

QUALITY FASTENERS SPECIALIST



8310165941 / 9959457863



sales@royalfastenersindia.com



www.royalfastenersindia.com

## TECHNICAL DATA SHEET

### CSK TORX 6-LOBE SCREW



MATERIAL- STAINLESS STEEL

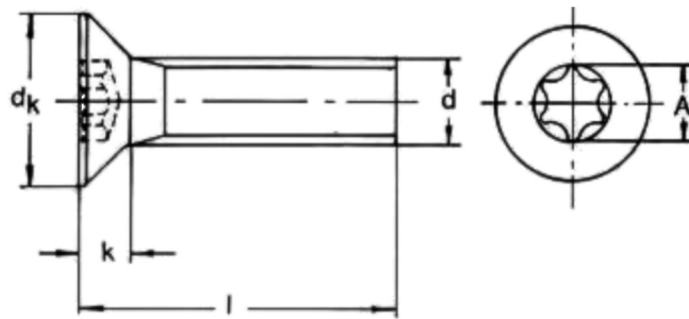
GRADE-SS304 (A2-70)

AS PER-ISO-14581

CATALOGUE NO. R4F21

### INSTALLATION GUIDE

- SELECT THE CORRECT SIZE OF CSK TORX SCREW AND MATCHING TORX DRIVER OR BIT (T-SIZE).
- ENSURE THE COUNTERSUNK HOLE IS PREPARED TO MATCH THE SCREW ANGLE FOR A FLUSH FIT.
- CLEAN THE HOLE AND MATING SURFACE TO REMOVE ANY DUST, OIL, OR DEBRIS.
- ALIGN THE COMPONENTS TO BE FASTENED IN PROPER POSITION.
- INSERT THE CSK TORX SCREW INTO THE COUNTERSUNK HOLE BY HAND TO START THREADING.
- PLACE THE TORX DRIVER FIRMLY INTO THE STAR-SHAPED RECESS OF THE SCREW HEAD.
- TURN THE DRIVER CLOCKWISE TO TIGHTEN THE SCREW EVENLY AND SECURELY.
- APPLY STEADY PRESSURE TO ENSURE PROPER TORX ENGAGEMENT AND AVOID CAM-OUT.
- ENSURE THE SCREW HEAD SITS FLUSH WITH THE SURFACE AFTER TIGHTENING.
- DO NOT OVERTIGHTEN TO PREVENT THREAD DAMAGE OR MATERIAL DEFORMATION.
- INSPECT THE FINAL INSTALLATION TO CONFIRM THE CSK TORX SCREW IS SECURE AND FLUSH WITH THE SURFACE.



Note: \* NON-STANDARD PART

Parameter→ Size↓		M1.6x0.35*	M2x0.4	M2.5x0.45	M3x0.5	M4x0.7
Head Dia dk	Max	3.00	4.40	5.50	6.00	8.40
	Min	2.75	3.50	4.40	5.20	7.64
Head height	k Max	0.96	1.20	1.50	1.70	2.70
Drive Bit		T4	T6	T8	T10	T20
Length Tolerance		≤ 3mm ±0.20 / 4-6mm ±0.24 / 7-10mm ±0.29 / 11-16mm ±0.35 20-30mm ±0.42 / 35-50mm ±0.50 / 50-80mm ±0.65 / 80-120mm ±0.75				

Quote the PART NUMBER given below with your order/ inquiries:

All Dimensions in mm

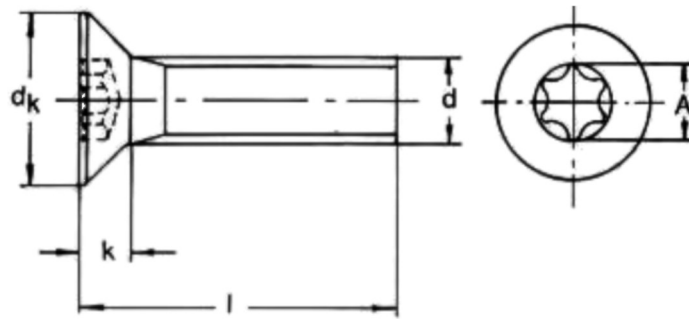
Length↓ Size→	M1.6x0.35*	M2x0.4	M2.5x0.45	M3x0.5	M4x0.7
2	R4F2110602				
3	R4F2110603	R4F2102003	R4F2120503		
4	R4F2110604	R4F2102004	R4F2120504	R4F2103004	
5	R4F2110605	R4F2102005	R4F2120505	R4F2103005	R4F2104005
6	R4F2110606	R4F2102006	R4F2120506	R4F2103006	R4F2104006
8	R4F2110608	R4F2102008	R4F2120508	R4F2103008	R4F2104008
10	R4F2110610	R4F2102010	R4F2120510	R4F2103010	R4F2104010
12	R4F2110612	R4F2102012	R4F2120512	R4F2103012	R4F2104012
14	R4F2110614	R4F2102014	R4F2120514	R4F2103014	R4F2104014
16	R4F2110616	R4F2102016	R4F2120516	R4F2103016	R4F2104016
18	R4F2110618	R4F2102018	R4F2120518	R4F2103018	R4F2104018
20	R4F2110620	R4F2102020	R4F2120520	R4F2103020	R4F2104020
22			R4F2120522	R4F2103022	R4F2104022
25			R4F2120525	R4F2103025	R4F2104025
28			R4F2120528	R4F2103028	R4F2104028
30			R4F2120530	R4F2103030	R4F2104030
35				R4F2103035	R4F2104035
40				R4F2103040	R4F2104040
45				R4F2103045	R4F2104045
50				R4F2103050	R4F2104050
55				R4F2103055	R4F2104055
60				R4F2103060	R4F2104060
65					R4F2104065
70					R4F2104070
75					R4F2104075
80					R4F2104080
90					R4F2104090
100					R4F2104100

Sizes in BLUE are non-preferred. Availability is limited and MOQ is applied.

Data is strictly informative

Note: All Austenitic Stainless-Steel Fasteners may exhibit some Magnetic Properties due to the Manufacturing Process.

Refer: ISO 3506-2 Annex F



Parameter→ Size↓		M5x0.8	M6x1.0	M8x1.25	M10x1.5
Head Dia $d_k$	Max	10.00	12.00	16.00	20.00
	Min	8.94	10.87	15.37	17.78
Head height	k Max	2.80	3.30	4.65	5.50
Drive Bit		T25	T30	T45	T50
Length Tolerance		4-6mm $\pm 0.24$ / 7-10mm $\pm 0.29$ / 11-16mm $\pm 0.35$ / 20-30mm $\pm 0.42$ 35-50mm $\pm 0.50$ / 50-80mm $\pm 0.65$ / 80-120mm $\pm 0.75$ / 120-180mm $\pm 0.85$			

Quote the PART NUMBER given below with your order/ inquiries:

All Dimensions in mm

Length↓ Size→	M5x0.8	M6x1.0	M8x1.25	M10x1.5
6	R4F2105006			
8	R4F2105008	R4F2106008		
10	R4F2105010	R4F2106010	R4F2108010	
12	R4F2105012	R4F2106012	R4F2108012	
14	R4F2105014	R4F2106014	R4F2108014	
16	R4F2105016	R4F2106016	R4F2108016	R4F2110016
18	R4F2105018	R4F2106018	R4F2108018	R4F2110018
20	R4F2105020	R4F2106020	R4F2108020	R4F2110020
22	R4F2105022	R4F2106022	R4F2108022	R4F2110022
25	R4F2105025	R4F2106025	R4F2108025	R4F2110025
28	R4F2105028	R4F2106028	R4F2108028	R4F2110028
30	R4F2105030	R4F2106030	R4F2108030	R4F2110030
35	R4F2105035	R4F2106035	R4F2108035	R4F2110035
40	R4F2105040	R4F2106040	R4F2108040	R4F2110040
45	R4F2105045	R4F2106045	R4F2108045	R4F2110045
50	R4F2105050	R4F2106050	R4F2108050	R4F2110050
55	R4F2105055	R4F2106055	R4F2108055	R4F2110055
60	R4F2105060	R4F2106060	R4F2108060	R4F2110060
65	R4F2105065	R4F2106065	R4F2108065	R4F2110065
70	R4F2105070	R4F2106070	R4F2108070	R4F2110070
75	R4F2105075	R4F2106075	R4F2108075	R4F2110075
80	R4F2105080	R4F2106080	R4F2108080	R4F2110080
90	R4F2105090	R4F2106090	R4F2108090	R4F2110090
100	R4F2105100	R4F2106100	R4F2108100	R4F2110100

Sizes in BLUE are non-preferred. Availability is limited and MOQ is applied. **Data is strictly informative**

Note: All Austenitic Stainless-Steel Fasteners may exhibit some Magnetic Properties due to the Manufacturing Process.

Refer: ISO 3506-2 Annex F