



GST NO.: 29AHZPU5620Q1ZZ

An ISO 9001:2015 Certified Company

ROYAL INDUSTRIAL SUPPLIERS

QUALITY FASTENERS SPECIALIST



8310165941 / 9959457863



sales@royalfastenersindia.com



www.royalfastenersindia.com

TECHNICAL DATA SHEET

CSK TORX 6-LOBE SCREW



MATERIAL- STAINLESS STEEL

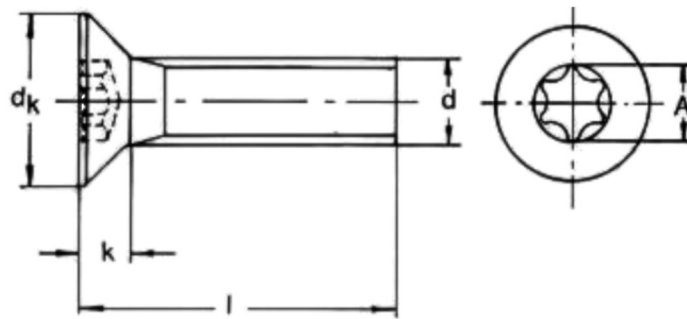
GRADE-SS316 (A4-70)

AS PER-ISO-14581

CATALOGUE NO. R6F21

INSTALLATION GUIDE

- SELECT THE CORRECT SIZE OF CSK TORX SCREW AND MATCHING TORX DRIVER OR BIT (T-SIZE).
- ENSURE THE COUNTERSUNK HOLE IS PREPARED TO MATCH THE SCREW ANGLE FOR A FLUSH FIT.
- CLEAN THE HOLE AND MATING SURFACE TO REMOVE ANY DUST, OIL, OR DEBRIS.
- ALIGN THE COMPONENTS TO BE FASTENED IN PROPER POSITION.
- INSERT THE CSK TORX SCREW INTO THE COUNTERSUNK HOLE BY HAND TO START THREADING.
- PLACE THE TORX DRIVER FIRMLY INTO THE STAR-SHAPED RECESS OF THE SCREW HEAD.
- TURN THE DRIVER CLOCKWISE TO TIGHTEN THE SCREW EVENLY AND SECURELY.
- APPLY STEADY PRESSURE TO ENSURE PROPER TORX ENGAGEMENT AND AVOID CAM-OUT.
- ENSURE THE SCREW HEAD SITS FLUSH WITH THE SURFACE AFTER TIGHTENING.
- DO NOT OVERTIGHTEN TO PREVENT THREAD DAMAGE OR MATERIAL DEFORMATION.
- INSPECT THE FINAL INSTALLATION TO CONFIRM THE CSK TORX SCREW IS SECURE AND FLUSH WITH THE SURFACE.



Note: * NON-STANDARD PART

Parameter→ Size↓		M1.6x0.35*	M2x0.4	M2.5x0.45	M3x0.5	M4x0.7
Head Dia dk	Max	3.00	4.40	5.50	6.00	8.40
	Min	2.75	3.50	4.40	5.20	7.64
Head height	k Max	0.96	1.20	1.50	1.70	2.70
Drive Bit		T4	T6	T8	T10	T20
Length Tolerance		≤ 3mm ±0.20 / 4-6mm ±0.24 / 7-10mm ±0.29 / 11-16mm ±0.35 20-30mm ±0.42 / 35-50mm ±0.50 / 50-80mm ±0.65 / 80-120mm ±0.75				

Quote the PART NUMBER given below with your order/ inquiries:

All Dimensions in mm

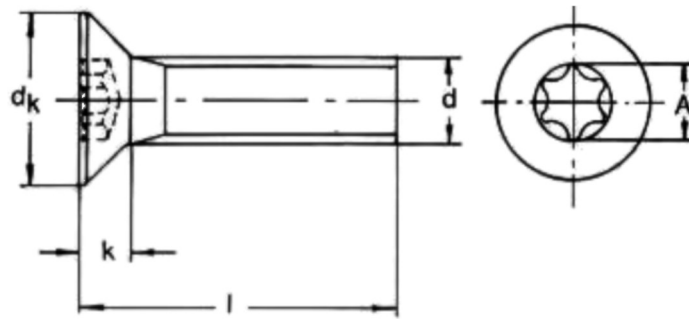
Length↓ Size→	M1.6x0.35*	M2x0.4	M2.5x0.45	M3x0.5	M4x0.7
2	R6F2110602				
3	R6F2110603	R6F2102003	R6F2120503		
4	R6F2110604	R6F2102004	R6F2120504	R6F2103004	
5	R6F2110605	R6F2102005	R6F2120505	R6F2103005	R6F2104005
6	R6F2110606	R6F2102006	R6F2120506	R6F2103006	R6F2104006
8	R6F2110608	R6F2102008	R6F2120508	R6F2103008	R6F2104008
10	R6F2110610	R6F2102010	R6F2120510	R6F2103010	R6F2104010
12	R6F2110612	R6F2102012	R6F2120512	R6F2103012	R6F2104012
14	R6F2110614	R6F2102014	R6F2120514	R6F2103014	R6F2104014
16	R6F2110616	R6F2102016	R6F2120516	R6F2103016	R6F2104016
18	R6F2110618	R6F2102018	R6F2120518	R6F2103018	R6F2104018
20	R6F2110620	R6F2102020	R6F2120520	R6F2103020	R6F2104020
22			R6F2120522	R6F2103022	R6F2104022
25			R6F2120525	R6F2103025	R6F2104025
28			R6F2120528	R6F2103028	R6F2104028
30			R6F2120530	R6F2103030	R6F2104030
35				R6F2103035	R6F2104035
40				R6F2103040	R6F2104040
45				R6F2103045	R6F2104045
50				R6F2103050	R6F2104050
55				R6F2103055	R6F2104055
60				R6F2103060	R6F2104060
65					R6F2104065
70					R6F2104070
75					R6F2104075
80					R6F2104080
90					R6F2104090
100					R6F2104100

Sizes in BLUE are non-preferred. Availability is limited and MOQ is applied.

Data is strictly informative

Note: All Austenitic Stainless-Steel Fasteners may exhibit some Magnetic Properties due to the Manufacturing Process.

Refer: ISO 3506-2 Annex F



Parameter→ Size↓		M5x0.8	M6x1.0	M8x1.25	M10x1.5
Head Dia d_k	Max	10.00	12.00	16.00	20.00
	Min	8.94	10.87	15.37	17.78
Head height	k Max	2.80	3.30	4.65	5.50
Drive Bit		T25	T30	T45	T50
Length Tolerance		4-6mm ± 0.24 / 7-10mm ± 0.29 / 11-16mm ± 0.35 / 20-30mm ± 0.42 35-50mm ± 0.50 / 50-80mm ± 0.65 / 80-120mm ± 0.75 / 120-180mm ± 0.85			

Quote the PART NUMBER given below with your order/ inquiries:

All Dimensions in mm

Length↓ Size→	M5x0.8	M6x1.0	M8x1.25	M10x1.5
6	R6F2105006			
8	R6F2105008	R6F2106008		
10	R6F2105010	R6F2106010	R6F2108010	
12	R6F2105012	R6F2106012	R6F2108012	
14	R6F2105014	R6F2106014	R6F2108014	
16	R6F2105016	R6F2106016	R6F2108016	R6F2110016
18	R6F2105018	R6F2106018	R6F2108018	R6F2110018
20	R6F2105020	R6F2106020	R6F2108020	R6F2110020
22	R6F2105022	R6F2106022	R6F2108022	R6F2110022
25	R6F2105025	R6F2106025	R6F2108025	R6F2110025
28	R6F2105028	R6F2106028	R6F2108028	R6F2110028
30	R6F2105030	R6F2106030	R6F2108030	R6F2110030
35	R6F2105035	R6F2106035	R6F2108035	R6F2110035
40	R6F2105040	R6F2106040	R6F2108040	R6F2110040
45	R6F2105045	R6F2106045	R6F2108045	R6F2110045
50	R6F2105050	R6F2106050	R6F2108050	R6F2110050
55	R6F2105055	R6F2106055	R6F2108055	R6F2110055
60	R6F2105060	R6F2106060	R6F2108060	R6F2110060
65	R6F2105065	R6F2106065	R6F2108065	R6F2110065
70	R6F2105070	R6F2106070	R6F2108070	R6F2110070
75	R6F2105075	R6F2106075	R6F2108075	R6F2110075
80	R6F2105080	R6F2106080	R6F2108080	R6F2110080
90	R6F2105090	R6F2106090	R6F2108090	R6F2110090
100	R6F2105100	R6F2106100	R6F2108100	R6F2110100

Sizes in BLUE are non-preferred. Availability is limited and MOQ is applied. **Data is strictly informative**

Note: All Austenitic Stainless-Steel Fasteners may exhibit some Magnetic Properties due to the Manufacturing Process.

Refer: ISO 3506-2 Annex F