



GST NO.: 29AHZPU5620Q1ZZ

An ISO 9001:2015 Certified Company

ROYAL INDUSTRIAL SUPPLIERS

QUALITY FASTENERS SPECIALIST



8310165941 / 9959457863



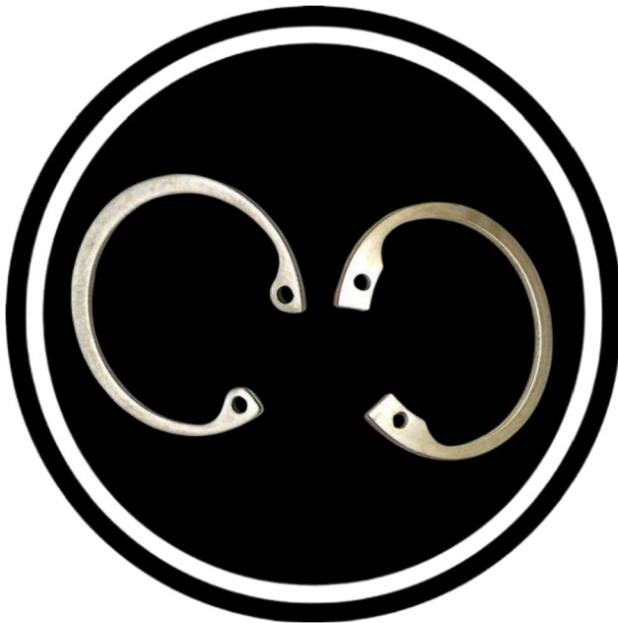
sales@royalfastenersindia.com



www.royalfastenersindia.com

TECHNICAL DATA SHEET

INTERNAL CIRCLIPS



MATERIAL- STAINLESS STEEL

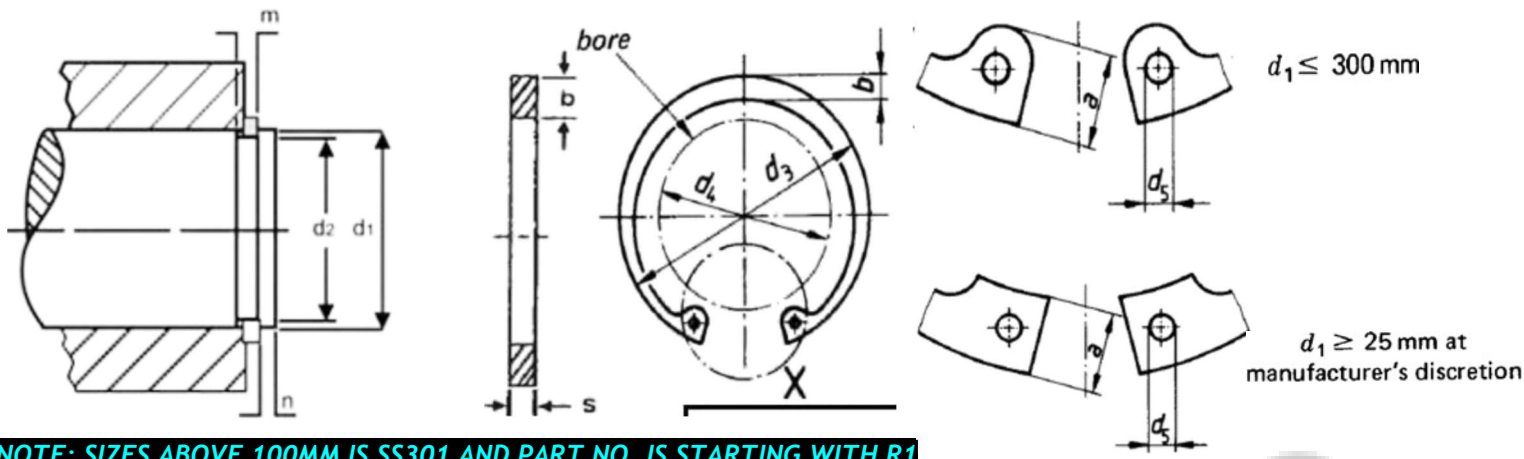
GRADE-SS316 (A4)

AS PER-DIN-472

CATALOGUE NO. R6G59I

INSTALLATION GUIDE

- VERIFY THE CIRCLIP SIZE MATCHES THE GROOVE DIAMETER AND HOUSING SPECIFICATION.
- INSPECT THE CIRCLIP FOR DEFORMATION, CRACKS, OR LOSS OF SPRING TENSION BEFORE INSTALLATION.
- ENSURE THE GROOVE INSIDE THE BORE IS CLEAN, PROPERLY MACHINED, AND FREE FROM BURRS.
- USE THE CORRECT INTERNAL CIRCLIP PLIERS FOR SAFE AND ACCURATE INSTALLATION.
- INSERT THE PLIER TIPS INTO THE CIRCLIP HOLES SECURELY.
- COMPRESS THE CIRCLIP EVENLY USING THE PLIERS.
- CAREFULLY INSERT THE COMPRESSED CIRCLIP INTO THE BORE.
- ALIGN THE CIRCLIP WITH THE GROOVE POSITION INSIDE THE HOUSING.
- RELEASE THE PLIERS SLOWLY TO ALLOW THE CIRCLIP TO EXPAND INTO THE GROOVE.
- ENSURE THE CIRCLIP IS FULLY SEATED AND EVENLY ENGAGED IN THE GROOVE.
- ROTATE THE CIRCLIP SLIGHTLY TO CONFIRM PROPER FITMENT.
- DO NOT OVER-COMPRESS THE CIRCLIP TO AVOID PERMANENT DEFORMATION.
- ENSURE THE OPENING GAP IS POSITIONED AS PER APPLICATION REQUIREMENT (IF SPECIFIED).
- VERIFY THAT THE CIRCLIP IS SECURE AND CANNOT DISLODGE FROM THE GROOVE.
- INSPECT THE FINAL ASSEMBLY FOR PROPER RETENTION AND ALIGNMENT.



NOTE: SIZES ABOVE 100MM IS SS301 AND PART NO. IS STARTING WITH R1

Quote the PART NUMBER given below with your order/ inquiries:

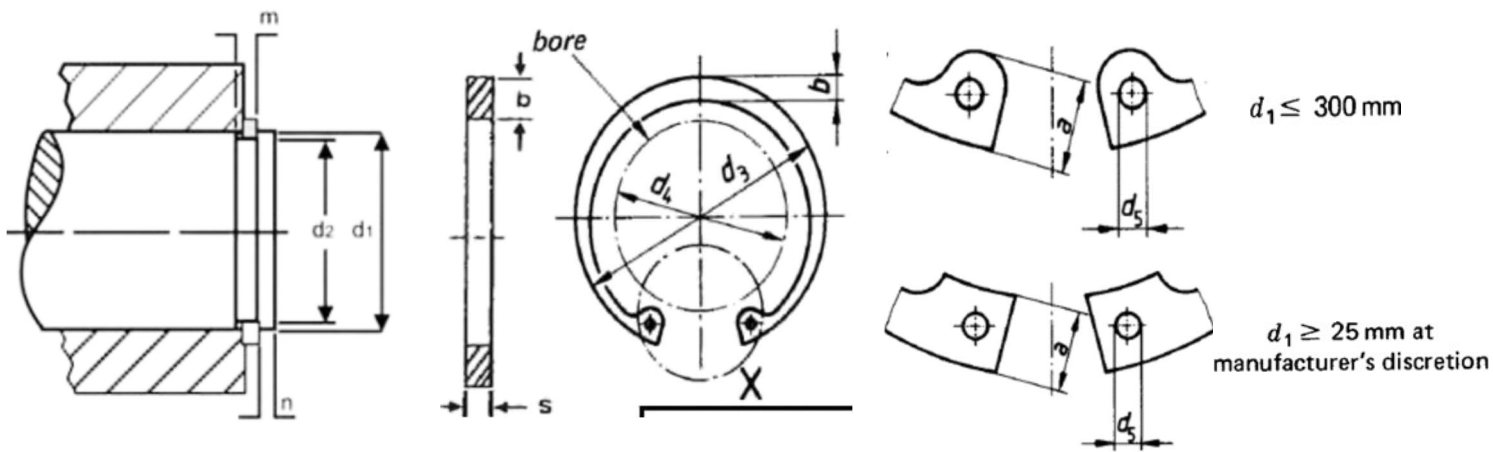
All Dimensions in mm

Part Number	Bore d1	s	Circlip Dimensions						Groove Dimensions			
			Tol	d3	Tol	a	b	d5	d2	Tol	M1	n
R6G59I08000	8	0.80	+0.00	8.7	+0.41 -0.15	2.4	1.1	1.0	8.4	+0.11	0.90	0.6
R6G59I09000	9	0.80	-0.06	9.8		2.5	1.3	1.0	9.4	-0.00	0.90	0.6
R6G59I10000	10	1.00	+0.00 -0.07	10.8		3.2	1.4	1.2	10.4	+0.13 -0.00	1.10	0.6
R6G59I11000	11	1.00		11.8		3.3	1.5	1.2	11.4		1.10	0.6
R6G59I12000	12	1.00		13.0		3.4	1.7	1.5	12.5		1.10	0.8
R6G59I13000	13	1.00		14.1		3.6	1.8	1.5	13.6		1.10	0.9
R6G59I14000	14	1.00		15.1		3.7	1.8	1.7	14.6		1.10	0.9
R6G59I15000	15	1.00		16.2		3.7	2.0	1.7	15.7		1.10	1.1
R6G59I16000	16	1.00		17.3		3.8	2.0	1.7	16.8		1.10	1.2
R6G59I17000	17	1.00		18.3		3.9	2.1	1.7	17.8		1.10	1.2
R6G59I18000	18	1.00		19.5	4.1	2.2	2.0	19.0	1.10		1.5	
R6G59I19000	19	1.00		20.5	4.1	2.2	2.0	20.0	1.10		1.5	
R6G59I20000	20	1.00	21.5	4.2	2.3	2.0	21.0	+0.15	1.10	1.5		
R6G59I21000	21	1.00	22.5	4.2	2.4	2.0	22.0	-0.00	1.10	1.5		
R6G59I22000	22	1.00	23.5	4.2	2.5	2.0	23.0	+0.25 -0.00	1.10	1.5		
R6G59I23000	23	1.20	24.6	4.2	2.5	2.0	24.1		1.30	1.5		
R6G59I24000	24	1.20	25.9	4.3	2.6	2.0	25.2		1.30	1.8		
R6G59I25000	25	1.20	26.9	4.5	2.7	2.0	26.2		1.30	1.8		
R6G59I26000	26	1.20	27.9	4.7	2.8	2.0	27.2		1.30	1.8		
R6G59I27000	27	1.20	29.1	4.7	2.9	2.0	28.4		-0.00	1.30	2.1	
R6G59I28000	28	1.20	30.1	4.8	2.9	2.0	29.4		1.30	2.1		
R6G59I29000	29	1.20	31.1	4.8	3.0	2.0	30.4		1.30	2.1		
R6G59I30000	30	1.20	32.1	4.8	3.0	2.0	31.4		1.30	2.1		
R6G59I31000	31	1.20	33.4	5.2	3.1	2.5	32.7		1.30	2.6		
R6G59I32000	32	1.20	34.4	5.4	3.2	2.5	33.7	1.30	2.6			
R6G59I33000	33	1.20	35.5	5.4	3.3	2.5	34.7	1.30	2.6			
R6G59I34000	34	1.50	36.5	5.4	3.3	2.5	35.7	1.60	2.6			
R6G59I35000	35	1.50	37.8	5.4	3.4	2.5	37.0	1.60	3.0			
R6G59I36000	36	1.50	38.8	5.4	3.5	2.5	38.0	1.60	3.0			
R6G59I37000	37	1.50	39.8	5.5	3.6	2.5	39.0	1.60	3.0			
R6G59I38000	38	1.50	40.8	5.5	3.7	2.5	40.0	1.60	3.0			
R6G59I39000	39	1.50	42.0	5.6	3.8	2.5	41.0	1.60	3.8			
R6G59I40000	40	1.75	43.5	5.8	3.9	2.5	42.5	1.85	3.8			
R6G59I41000	41	1.75	44.5	5.9	4.0	2.5	43.5	1.85	3.8			
R6G59I42000	42	1.75	45.5	5.9	4.1	2.5	44.5	+0.30	1.85	3.8		
R6G59I43000	43	1.75	46.5	5.9	4.2	2.5	45.5	-0.00	1.85	3.8		
R6G59I44000	44	1.75	47.5	6.0	4.2	2.5	46.5	1.85	3.8			
R6G59I45000	45	1.75	48.5	6.2	4.3	2.5	47.5	1.85	3.8			
R6G59I46000	46	1.75	49.5	6.3	4.4	2.5	48.5	1.85	3.8			
R6G59I47000	47	1.75	50.5	6.4	4.4	2.5	49.5	1.85	3.8			
R6G59I48000	48	1.75	51.5	6.4	4.5	2.5	50.5	1.85	3.8			
R6G59I50000	50	2.00	54.2	6.5	4.6	2.5	53.0	2.15	4.5			
R6G59I52000	52	2.00	56.2	6.7	4.7	2.5	55.0	2.15	4.5			

Sizes in BLUE are non-preferred. Availability is limited and MOQ is applied. **Data is strictly informative**

Note: All Austenitic Stainless-Steel Fasteners may exhibit some Magnetic Properties due to the Manufacturing Process.

Refer: ISO 3506-2 Annex F



NOTE: SIZES ABOVE 100MM IS SS301 AND PART NO. IS STARTING WITH R1

Quote the PART NUMBER given below with your order/ inquiries:

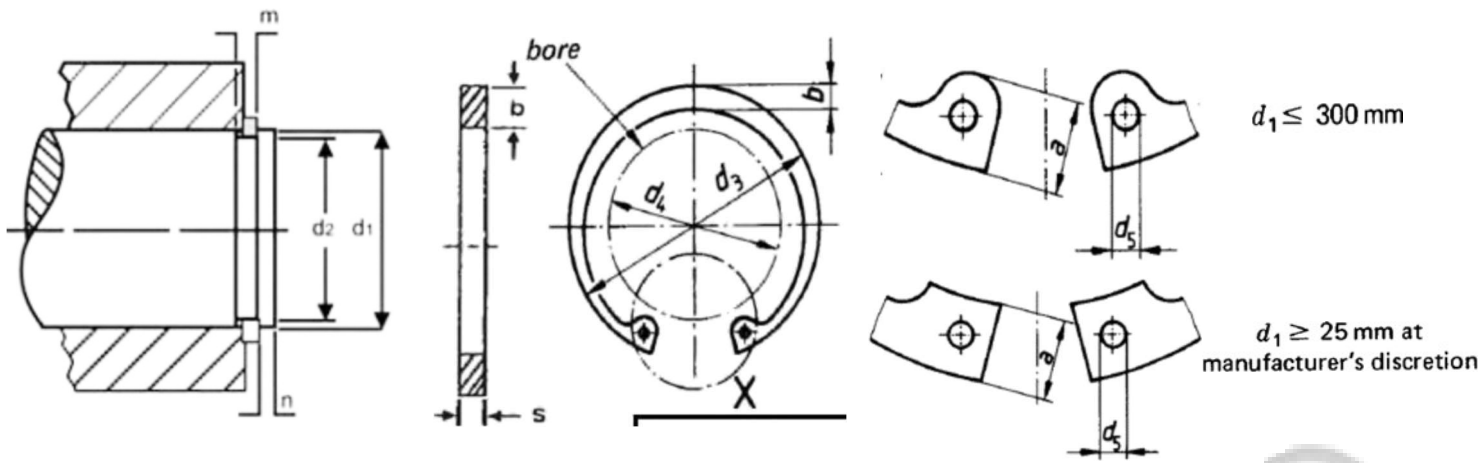
All Dimensions in mm

Part Number	Circlip Dimensions						Groove Dimensions					
	Bore d_1	s	Tol	d_3	Tol	a	b	d_5	d_2	Tol	M1	n
R6G59I54000	54	2.00	+0.00 -0.08	58.2	+1.15 -0.51	6.7	5.0	2.5	57.0	+0.35 -0.00	2.15	4.5
R6G59I55000	55	2.00		59.2		6.8	5.0	2.5	58.0		2.15	4.5
R6G59I56000	56	2.00		60.2		6.8	5.1	2.5	59.0		2.15	4.5
R6G59I57000	57	2.00		61.2		6.8	5.1	2.5	60.0		2.15	4.5
R6G59I58000	58	2.00		62.2		6.9	5.2	2.5	61.0		2.15	4.5
R6G59I60000	60	2.00		64.2		7.3	5.4	2.5	63.0		2.15	4.5
R6G59I62000	62	2.00		66.2		7.3	5.5	2.5	65.0		2.15	4.5
R6G59I63000	63	2.00		67.2		7.3	5.6	2.5	66.0		2.15	4.5
R6G59I65000	65	2.50		69.2		7.6	5.8	3.0	68.0		2.65	4.5
R6G59I67000	67	2.50		71.5		7.7	6.0	3.0	70.0		2.65	4.5
R6G59I68000	68	2.50	72.5	7.8	6.1	3.0	71.0	2.65	4.5			
R6G59I70000	70	2.50	74.5	7.8	6.2	3.0	73.0	2.65	4.5			
R6G59I72000	72	2.50	76.5	7.8	6.4	3.0	75.0	2.65	4.5			
R6G59I75000	75	2.50	79.5	7.8	6.6	3.0	78.0	2.65	4.5			
R6G59I77000	77	2.50	82.5	8.5	6.8	3.0	80.0	2.65	4.5			
R6G59I78000	78	2.50	82.5	8.5	6.8	3.0	81.0	2.65	4.5			
R6G59I80000	80	2.50	85.5	8.5	7.0	3.0	83.5	2.65	5.3			
R6G59I82000	82	2.50	87.5	8.5	7.0	3.0	85.5	2.65	5.3			
R6G59I85000	85	3.00	90.5	8.6	7.2	3.5	88.5	3.15	5.3			
R6G59I87000	87	3.00	93.5	8.6	7.3	3.5	90.5	3.15	5.3			
R6G59I88000	88	3.00	93.5	8.6	7.4	3.5	91.5	3.15	5.3			
R6G59I90000	90	3.00	95.5	8.6	7.6	3.5	93.5	3.15	5.3			
R6G59I92000	92	3.00	97.5	8.7	7.8	3.5	95.5	3.15	5.3			
R6G59I95000	95	3.00	100.5	8.8	8.1	3.5	98.5	3.15	5.3			
R6G59I97000	97	3.00	103.5	9.0	8.2	3.5	100.5	3.15	5.3			
R6G59I98000	98	3.00	103.5	9.0	8.3	3.5	101.5	3.15	5.3			
R6G59I00100	100	3.00	105.5	9.2	8.4	3.5	103.5	3.15	5.3			
R6G59I00102	102	4.00	108.0	9.5	8.5	3.5	106.0	4.15	6.0			
R6G59I00105	105	4.00	112.0	9.5	8.7	3.5	109.0	4.15	6.0			
R6G59I00107	107	4.00	115.0	9.5	8.9	3.5	111.0	4.15	6.0			
R6G59I00108	108	4.00	115.0	9.5	8.9	3.5	112.0	4.15	6.0			
R6G59I00110	110	4.00	117.0	10.4	9.0	3.5	114.0	4.15	6.0			
R6G59I00112	112	4.00	119.0	10.5	9.1	3.5	116.0	4.15	6.0			
R6G59I00115	115	4.00	122.0	10.5	9.3	3.5	119.0	4.15	6.0			
R6G59I00117	117	4.00	125.0	10.7	9.6	3.5	121.0	4.15	6.0			
R6G59I00118	118	4.00	125.0	10.7	9.6	3.5	122.0	4.15	6.0			
R6G59I00120	120	4.00	127.0	11.0	9.7	3.5	124.0	4.15	6.0			
R6G59I00122	122	4.00	129.0	11.0	9.8	4.0	126.0	4.15	6.0			
R6G59I00125	125	4.00	132.0	11.0	10.0	4.0	129.0	4.15	6.0			
R6G59I00127	127	4.00	135.0	11.0	10.0	4.0	131.0	4.15	6.0			
R6G59I00128	128	4.00	135.0	11.0	10.2	4.0	132.0	4.15	6.0			
R6G59I00130	130	4.00	137.0	11.0	10.2	4.0	134.0	4.15	6.0			
R6G59I00132	132	4.00	139.0	11.0	10.3	4.0	136.0	4.15	6.0			

Sizes in BLUE are non-preferred. Availability is limited and MOQ is applied. **Data is strictly informative**

Note: All Austenitic Stainless-Steel Fasteners may exhibit some Magnetic Properties due to the Manufacturing Process.

Refer: ISO 3506-2 Annex F



NOTE: SIZES ABOVE 100MM IS SS301 AND PART NO. IS STARTING WITH R1

Quote the PART NUMBER given below with your order/ inquiries:

All Dimensions in mm

Part Number	Circlip Dimensions						Groove Dimensions					
	Bore d1	s	Tol	d3	Tol	a	b	d5	d2	Tol	M1	n
R6G59I00135	135	4.00	+0.00 -0.12	142.0	-0.68	11.2	10.5	4.0	139.0	+0.70 -0.00	4.15	6.0
R6G59I00137	137	4.00		145.0		11.2	10.6	4.0	141.0		4.15	6.0
R6G59I00138	138	4.00		145.0		11.2	10.6	4.0	142.0		4.15	6.0
R6G59I00140	140	4.00		147.0		11.2	10.7	4.0	144.0		4.15	6.0
R6G59I00142	142	4.00		149.0		11.3	10.8	4.0	146.0		4.15	6.0
R6G59I00145	145	4.00		152.0		11.4	10.9	4.0	149.0		4.15	6.0
R6G59I00150	150	4.00		158.0		12.0	11.2	4.0	155.0		4.15	7.5
R6G59I00155	155	4.00		164.0		12.0	11.4	4.0	160.0		4.15	7.5
R6G59I00160	160	4.00		169.0		13.0	11.6	4.0	165.0		4.15	7.5
R6G59I00165	165	4.00		174.5		13.0	11.8	4.0	170.0		4.15	7.5
R6G59I00170	170	4.00	179.5	13.5	12.2	4.0	175.0	4.15	7.5			
R6G59I00175	175	4.00	184.5	13.5	12.7	4.0	180.0	4.15	7.5			
R6G59I00180	180	4.00	189.5	14.2	13.2	4.0	185.0	4.15	7.5			
R6G59I00185	185	4.00	194.5	14.2	13.7	4.0	190.0	4.15	7.5			
R6G59I00190	190	4.00	199.5	14.2	13.8	4.0	195.0	4.15	7.5			
R6G59I00195	195	4.00	204.5	14.2	13.8	4.0	200.0	4.15	7.5			
R6G59I00200	200	4.00	209.5	14.2	14.0	4.0	205.0	4.15	7.5			
R6G59I00210	210	5.00	222.0	14.2	14.0	4.0	216.0	5.15	9.0			
R6G59I00215	215	5.00	227.0	14.2	14.0	4.0	221.0	5.15	9.0			
R6G59I00220	220	5.00	232.0	14.2	14.0	4.0	226.0	5.15	9.0			
R6G59I00230	230	5.00	242.0	14.2	14.0	4.0	236.0	5.15	9.0			
R6G59I00240	240	5.00	252.0	14.2	14.0	4.0	246.0	5.15	9.0			
R6G59I00250	250	5.00	262.0	14.2	14.0	4.0	256.0	5.15	9.0			
R6G59I00255	255	5.00	270.0	16.2	16.0	5.0	263.0	5.15	12.0			
R6G59I00260	260	5.00	275.0	16.2	16.0	5.0	268.0	5.15	12.0			
R6G59I00270	270	5.00	285.0	16.2	16.0	5.0	278.0	5.15	12.0			
R6G59I00280	280	5.00	295.0	16.2	16.0	5.0	288.0	5.15	12.0			
R6G59I00290	290	5.00	305.0	16.2	16.0	5.0	298.0	5.15	12.0			
R6G59I00300	300	5.00	315.0	16.2	16.0	5.0	308.0	5.15	12.0			

Sizes in BLUE are non-preferred. Availability is limited and MOQ is applied. **Data is strictly informative**

Note: All Austenitic Stainless-Steel Fasteners may exhibit some Magnetic Properties due to the Manufacturing Process.
Refer: ISO 3506-2 Annex F