



GST NO.: 29AHZPU5620Q1ZZ

An ISO 9001:2015 Certified Company

ROYAL INDUSTRIAL SUPPLIERS

QUALITY FASTENERS SPECIALIST



8310165941 / 9959457863



sales@royalfastenersindia.com



www.royalfastenersindia.com

TECHNICAL DATA SHEET

CAST EYE NUT



MATERIAL- STAINLESS STEEL

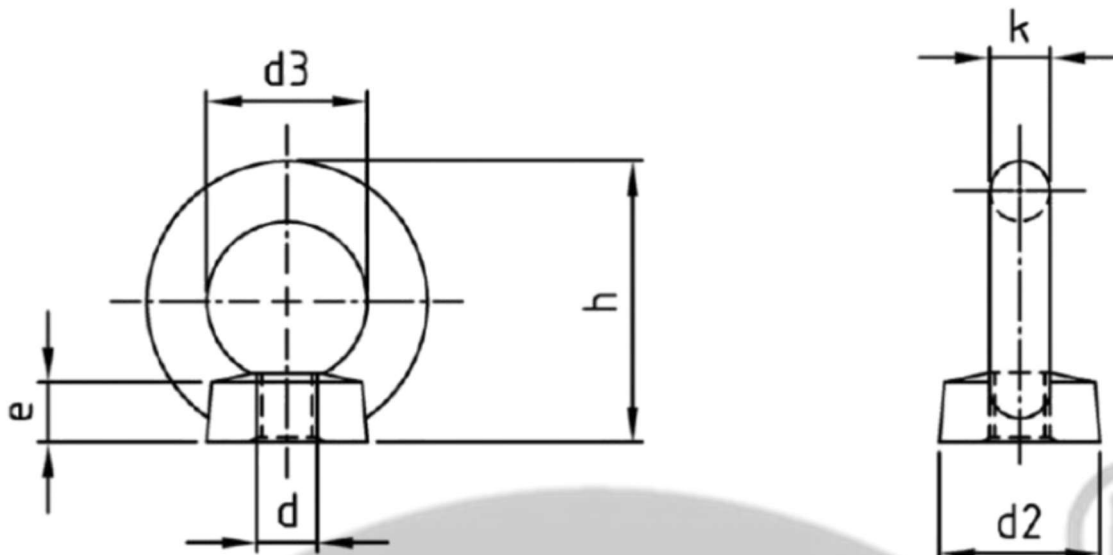
GRADE-SS316 (A2-70)

AS PER-DIN-582

CATALOGUE NO. R6G71C

INSTALLATION GUIDE

- VERIFY THE EYE NUT SIZE, THREAD TYPE, AND LOAD RATING MATCH THE APPLICATION REQUIREMENT.
- INSPECT THE EYE NUT FOR CRACKS, DEFORMATION, CORROSION, OR OTHER DAMAGE BEFORE INSTALLATION.
- ENSURE THE MATING BOLT OR THREADED STUD IS CLEAN, STRAIGHT, AND FREE FROM THREAD DAMAGE.
- CONFIRM THAT THE SUPPORTING STRUCTURE IS CAPABLE OF SAFELY HANDLING THE INTENDED LOAD.
- THREAD THE EYE NUT ONTO THE BOLT OR STUD BY HAND TO AVOID CROSS-THREADING.
- ROTATE THE EYE NUT UNTIL IT SITS FIRMLY AGAINST THE MATING SURFACE.
- USE A SUITABLE TOOL IF NECESSARY TO ACHIEVE THE REQUIRED TIGHTNESS.
- ENSURE THE EYE IS ALIGNED IN THE DIRECTION OF THE APPLIED LOAD.
- VERIFY THAT THE EYE NUT IS FULLY SEATED AND HAS COMPLETE THREAD ENGAGEMENT.
- AVOID OVERTIGHTENING TO PREVENT THREAD DAMAGE OR DISTORTION OF THE EYE.
- DO NOT EXCEED THE SPECIFIED WORKING LOAD LIMIT OF THE EYE NUT.
- AVOID SHOCK LOADING OR SUDDEN IMPACT LOADS DURING OPERATION.
- CHECK THAT THE LOAD IS EVENLY APPLIED AND DOES NOT CAUSE EXCESSIVE ANGULAR STRESS.
- INSPECT THE FINAL INSTALLATION TO CONFIRM SECURE FITMENT, PROPER ALIGNMENT, AND SAFE LOAD HANDLING.
- PERFORM PERIODIC INSPECTIONS TO ENSURE CONTINUED SAFETY AND RELIABILITY IN SERVICE.



Quote the PART NUMBER given below with your order/ inquiries:

All Dimensions in mm

Nominal Size(d)	PART NUMBER	Eye Inner Dia	Height	Eye Thickness
Thread Size		d3	h	k
M3x0.5	R6G71C03001	7.50	14.30	3.00
M4x0.7	R6G71C04001	10.00	19.50	4.00
M5x0.8	R6G71C05001	12.50	23.50	5.00
M6x1.0	R6G71C06001	16.00	28.00	6.00
M8x1.25	R6G71C08001	20.00	36.00	8.00
M10x1.5	R6G71C10001	25.00	45.00	10.00
M12x1.75	R6G71C12001	30.00	54.00	12.00
M16x2.0	R6G71C16001	35.00	63.00	14.00
M20x2.5	R6G71C20001	40.00	72.00	16.00
M24x3.0	R6G71C24001	P50.00	90.00	20.00
M27x3.0	R6G71C27001	60.00	109.00	24.00
M30x3.5	R6G71C30001	60.00	109.00	24.00
M36x4.0	R6G71C36001	70.00	128.00	28.00

Sizes in BLUE are non-preferred. Availability is limited and MOQ is applied *Data is strictly informative*

Note: All Austenitic Stainless-Steel Fasteners may exhibit some Magnetic Properties due to the Manufacturing Process.
Refer: ISO 3506-2 Annex F