



GST NO.: 29AHZPU5620Q1ZZ

An ISO 9001:2015 Certified Company

ROYAL INDUSTRIAL SUPPLIERS

QUALITY FASTENERS SPECIALIST



8310165941 / 9959457863



sales@royalfastenersindia.com



www.royalfastenersindia.com

TECHNICAL DATA SHEET

HEXAGONAL NUT



MATERIAL- STAINLESS STEEL

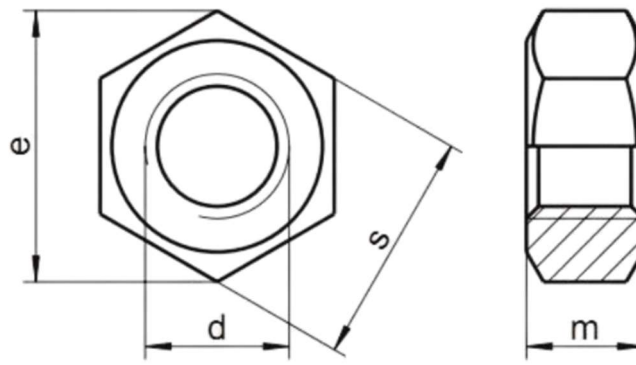
GRADE-SS304 (A2)

AS PER-DIN-934

CATALOGUE NO. R4D15

INSTALLATION GUIDE

- SELECT THE CORRECT SIZE OF HEX NUT TO MATCH THE BOLT OR STUD THREAD SIZE AND PITCH.
- ENSURE BOTH THE BOLT AND NUT THREADS ARE CLEAN, DRY, AND FREE FROM DUST, OIL, OR DEBRIS.
- ALIGN THE HEX NUT WITH THE BOLT OR STUD THREAD PROPERLY BEFORE STARTING INSTALLATION.
- HAND-TIGHTEN THE HEX NUT ONTO THE BOLT OR STUD IN A CLOCKWISE DIRECTION TO START THREAD ENGAGEMENT.
- USE A SUITABLE SPANNER OR SOCKET WRENCH THAT FITS THE HEX NUT SECURELY.
- TIGHTEN THE NUT EVENLY AND GRADUALLY USING STEADY PRESSURE.
- IF MULTIPLE NUTS OR BOLTS ARE USED, FOLLOW A DIAGONAL OR CROSS-PATTERN TIGHTENING SEQUENCE.
- APPLY THE SPECIFIED TORQUE VALUE USING A TORQUE WRENCH IF REQUIRED.
- AVOID OVERTIGHTENING TO PREVENT THREAD DAMAGE OR DEFORMATION OF THE COMPONENTS.
- USE A WASHER UNDER THE NUT IF SPECIFIED TO DISTRIBUTE LOAD AND PROTECT THE SURFACE.
- FOR VIBRATION-PRONE APPLICATIONS, USE A LOCK NUT, SPRING WASHER, OR THREAD-LOCKING COMPOUND.
- VERIFY THAT THE HEX NUT IS FULLY SEATED AND THE ASSEMBLY IS SECURE AFTER INSTALLATION.



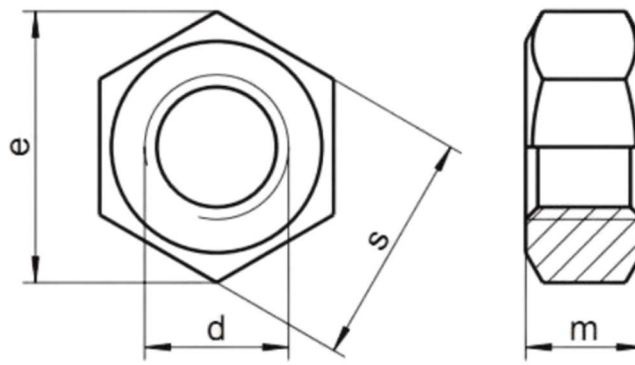
Quote the PART NUMBER given below with your order/ inquiries:

All Dimensions in mm

Nominal Size(d)	Item Code	Width Across Corners	Width Across flat s		Thickness m	
			e min	Min	Max	Min
M1 x 0.25	R4D1501000	2.71	2.40	2.50	0.55	0.80
M1.2 x 0.25	R4D1510200	3.28	2.90	3.00	0.75	1.00
M1.4 x 0.3	R4D1510400	3.28	2.90	3.00	0.95	1.20
M1.6 x 0.35	R4D1510600	3.41	3.02	3.20	1.20	1.30
M2 x 0.4	R4D1502000	4.32	3.82	4.00	1.35	1.60
M2.2 x 0.45	R4D1520200	4.88	4.32	4.50	1.55	1.80
M2.3 x 0.4	R4D1520300	4.88	4.32	4.50	1.55	1.80
M2.5 x 0.45	R4D1520500	5.45	4.82	5.00	1.75	2.00
M2.6 x 0.45	R4D1520600	5.45	4.82	5.00	1.75	2.00
M3 x 0.5	R4D1503000	6.01	5.32	5.50	2.15	2.40
M3.5 x 0.6	R4D1530500	6.01	5.82	6.00	2.55	2.80
M4 x 0.7	R4D1504000	7.66	6.78	7.00	2.90	3.20
M5 x 0.8	R4D1505000	8.79	7.78	8.00	3.70	4.00
M6 x 1.0	R4D1506000	11.05	9.78	10.00	4.70	5.00
M7 x 1.0	R4D1507000	12.12	10.73	11.00	5.20	5.50
M8 x 1.25	R4D1508000	14.38	12.73	13.00	6.14	6.50
M10 x 1.5	R4D1510000	18.90	16.73	17.00	7.64	8.00

Sizes in BLUE are non-preferred. Availability is limited and MOQ is applied. *Data is strictly informative*

Note: All Austenitic Stainless-Steel Fasteners may exhibit some Magnetic Properties due to the Manufacturing Process.
Refer: ISO 3506-2 Annex F



Quote the PART NUMBER given below with your order/ inquiries:

All Dimensions in mm

Nominal Size(d)	Item Code	Width Across Corners	Width Across flat s		Thickness m	
			Min	Max	Min	Max
Thread Size	PART NUMBER	e min	Min	Max	Min	Max
M12 x 1.75	R4D1512000	21.10	18.67	19.00	9.64	10.00
M14 x 2.0	R4D1514000	24.49	21.67	22.00	10.30	11.00
M16 x 2.0	R4D1516000	26.75	23.67	24.00	12.30	13.00
M18 x 2.5	R4D1518000	29.56	26.16	27.00	14.30	15.00
M20 x 2.5	R4D1520000	32.95	29.16	30.00	14.90	16.00
M22 x 2.5	R4D1522000	35.03	31.00	32.00	16.90	18.00
M24 x 3.0	R4D1524000	39.55	35.00	36.00	17.70	19.00
M27 x 3.0	R4D1527000	45.20	40.00	41.00	20.70	22.00
M30 x 3.5	R4D1530000	50.85	45.00	46.00	22.70	24.00
M33 x 3.5	R4D1533000	55.37	49.00	50.00	24.70	26.00
M36 x 4.0	R4D1536000	60.79	53.80	55.00	27.40	29.00
M39 x 4.0	R4D1539000	66.44	58.80	60.00	29.40	31.00
M42 x 4.5	R4D1542000	71.30	63.10	65.00	32.40	34.00
M45 x 4.5	R4D1545000	76.95	68.10	70.00	34.40	36.00
M48 x 5.0	R4D1548000	82.60	73.10	75.00	36.40	38.00
M52 x 5.0	R4D1552000	88.25	78.10	80.00	40.40	42.00

Sizes in BLUE are non-preferred. Availability is limited and MOQ is applied. *Data is strictly informative*

Note: All Austenitic Stainless-Steel Fasteners may exhibit some Magnetic Properties due to the Manufacturing Process.
Refer: ISO 3506-2 Annex F