



GST NO.: 29AHZPU5620Q1ZZ

An ISO 9001:2015 Certified Company

ROYAL INDUSTRIAL SUPPLIERS

QUALITY FASTENERS SPECIALIST



8310165941 / 9959457863



sales@royalfastenersindia.com



www.royalfastenersindia.com

TECHNICAL DATA SHEET

HEXAGONAL NUT



MATERIAL- STAINLESS STEEL

GRADE-SS316 (A4)

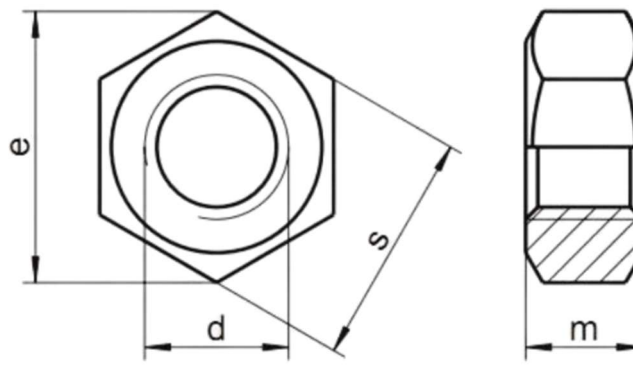
AS PER- ASME B 18.2.2

CATALOGUE NO. R6D15v

UNF SERIES

INSTALLATION GUIDE

- SELECT THE CORRECT SIZE OF HEX NUT TO MATCH THE BOLT OR STUD THREAD SIZE AND PITCH.
- ENSURE BOTH THE BOLT AND NUT THREADS ARE CLEAN, DRY, AND FREE FROM DUST, OIL, OR DEBRIS.
- ALIGN THE HEX NUT WITH THE BOLT OR STUD THREAD PROPERLY BEFORE STARTING INSTALLATION.
- HAND-TIGHTEN THE HEX NUT ONTO THE BOLT OR STUD IN A CLOCKWISE DIRECTION TO START THREAD ENGAGEMENT.
- USE A SUITABLE SPANNER OR SOCKET WRENCH THAT FITS THE HEX NUT SECURELY.
- TIGHTEN THE NUT EVENLY AND GRADUALLY USING STEADY PRESSURE.
- IF MULTIPLE NUTS OR BOLTS ARE USED, FOLLOW A DIAGONAL OR CROSS-PATTERN TIGHTENING SEQUENCE.
- APPLY THE SPECIFIED TORQUE VALUE USING A TORQUE WRENCH IF REQUIRED.
- AVOID OVERTIGHTENING TO PREVENT THREAD DAMAGE OR DEFORMATION OF THE COMPONENTS.
- USE A WASHER UNDER THE NUT IF SPECIFIED TO DISTRIBUTE LOAD AND PROTECT THE SURFACE.
- FOR VIBRATION-PRONE APPLICATIONS, USE A LOCK NUT, SPRING WASHER, OR THREAD-LOCKING COMPOUND.
- VERIFY THAT THE HEX NUT IS FULLY SEATED AND THE ASSEMBLY IS SECURE AFTER INSTALLATION.



Quote the PART NUMBER given below with your order/ inquiries:

All Dimensions in Inches

Nominal Size(d) Thread Size	PART NUMBER	Width Across Corners e	Width Across flat S			Thickness m	
		e min	Nom	Min	Max	Min	Max
2-64	R6D15v26400	0.205	3/16"	0.180	0.188	0.057	0.066
4-48	R6D15v44800	0.275	1/4"	0.241	0.25	0.087	0.098
6-40	R6D15v64000	0.344	5/16"	0.302	0.312	0.102	0.114
8-36	R6D15v83600	0.378	11/32"	0.332	0.344	0.117	0.130
10-32	R6D15v13200	0.413	3/8"	0.362	0.375	0.117	0.130
12-28	R6D15v12280	0.482	7/16"	0.423	0.438	0.148	0.161
1/4-28	R6D15v62000	0.488	7/16"	0.428	0.438	0.178	0.193
5/16-24	R6D15v79000	0.557	1/2"	0.489	0.500	0.208	0.225
3/8-24	R6D15v91000	0.628	9/16"	0.551	0.563	0.239	0.257
7/16-20	R6D15v11000	0.768	11/16"	0.675	0.688	3/8"	3/8"
1/2-20	R6D15v13000	0.840	3/4"	0.736	0.750	7/16"	7/16"
9/16-18	R6D15v14000	1.010	7/8"	0.861	0.875	31/64"	31/64"
5/8-18	R6D15v15000	1.051	15/16"	0.922	0.938	36/64"	36/64"
3/4-16	R6D15v19000	1.240	1 1/8"	1.088	1.125	41/64"	41/64"
7/8-14	R6D15v23000	1.447	1 5/16"	1.269	1.312	3/4"	3/4"
1-14	R6D15v25000	1.653	1 1/2"	1.450	1.500	55/64"	55/64"
1 1/8-12	R6D15v28000	1.859	1 11/16"	1.631	1.688	31/32"	31/32"
1 1/4-12	R6D15v31000	2.066	1 7/8"	1.812	1.875	1 1/16"	1 1/16"
1 1/2-12	R6D15v38000	2.480	2 1/4"	2.175	2.250	1 9/32"	1 9/32"

Sizes in BLUE are non-preferred. Availability is limited and MOQ is applied *Data is strictly informative*

Note: All Austenitic Stainless-Steel Fasteners may exhibit some Magnetic Properties due to the Manufacturing Process.

Refer: ISO 3506-2 Annex F