



GST NO.: 29AHZPU5620Q1ZZ

An ISO 9001:2015 Certified Company

ROYAL INDUSTRIAL SUPPLIERS

QUALITY FASTENERS SPECIALIST



8310165941 / 9959457863



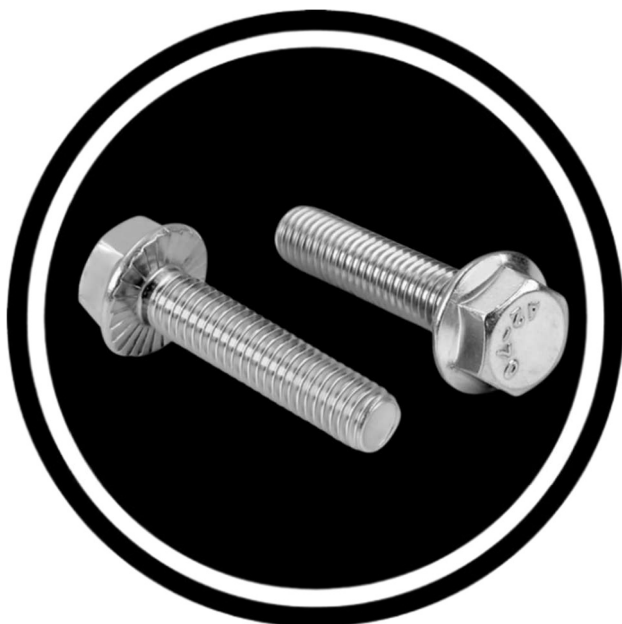
sales@royalfastenersindia.com



www.royalfastenersindia.com

TECHNICAL DATA SHEET

FLANGE HEX BOLT



MATERIAL- STAINLESS STEEL

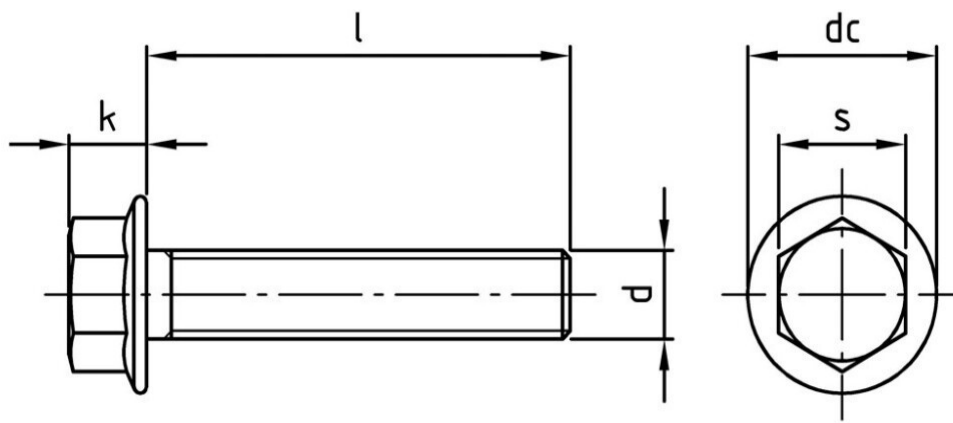
GRADE-SS304 (A2-70)

AS PER-DIN-6921

CATALOGUE NO. R4D25F

INSTALLATION GUIDE

- VERIFY THE BOLT SIZE, THREAD PITCH, LENGTH, AND FLANGE DIMENSIONS MATCH THE APPLICATION REQUIREMENT.
- INSPECT THE BOLT FOR THREAD DAMAGE, CORROSION, OR SURFACE DEFECTS BEFORE INSTALLATION.
- ENSURE THE MATING HOLES AND THREADS ARE CLEAN, PROPERLY ALIGNED, AND FREE FROM BURRS OR DEBRIS.
- CHECK THAT THE FLANGE BEARING SURFACE IS CLEAN AND SUITABLE FOR LOAD DISTRIBUTION.
- ALIGN THE COMPONENTS AND INSERT THE FLANGE HEX BOLT THROUGH THE HOLES.
- THREAD THE BOLT INTO THE MATING THREAD OR NUT BY HAND TO PREVENT CROSS-THREADING.
- ENSURE THE INTEGRATED FLANGE SITS FLAT AGAINST THE MATING SURFACE.
- USE THE CORRECT SIZE HEX SOCKET OR SPANNER FOR INSTALLATION.
- TIGHTEN THE BOLT GRADUALLY WHILE MAINTAINING PROPER COMPONENT ALIGNMENT.
- APPLY THE SPECIFIED TORQUE USING A CALIBRATED TORQUE WRENCH.
- ALLOW THE FLANGE TO DISTRIBUTE THE CLAMPING LOAD EVENLY OVER THE CONTACT AREA.
- DO NOT OVERTIGHTEN, AS THIS MAY DAMAGE THE THREADS OR MATING COMPONENTS.
- VERIFY THAT THE BOLT IS FULLY SEATED AND SECURELY FASTENED.
- CHECK FOR ANY MOVEMENT, MISALIGNMENT, OR GAPS BETWEEN THE ASSEMBLED COMPONENTS.
- INSPECT THE FINAL ASSEMBLY FOR PROPER SEATING, ALIGNMENT, AND CLAMPING FORCE.



Note: Flange may be plain or serrated And * is non-standard part

Diameter	M4x0.7*	M5x0.8	M6x1.0	M8x1.25	M10x1.5	M12x1.75
Flange Dia dc max	10.00	11.80	14.20	18.00	22.30	26.60
Head Height k max	4.65	5.40	6.60	8.10	9.20	11.50
Across Flats s Max	7.00	8.00	10.00	13.00	15.00	16.00

Quote the PART NUMBER given below with your order/ inquiries:

All Dimensions in mm

Length↓ Dia→	M4x0.7*	M5x0.8	M6x1.0	M8x1.25	M10x1.5	M12x1.75
8	R4D25F04008	R4D25F05008	R4D25F06008			
10	R4D25F04010	R4D25F05010	R4D25F06010		R4D25F10010	
12	R4D25F04012	R4D25F05012	R4D25F06012	R4D25F08012	R4D25F10012	
16	R4D25F04016	R4D25F05016	R4D25F06016	R4D25F08016	R4D25F10016	
20	R4D25F04020	R4D25F05020	R4D25F06020	R4D25F08020	R4D25F10020	R4D25F12020
25	R4D25F04025	R4D25F05025	R4D25F06025	R4D25F08025	R4D25F10025	R4D25F12025
30	R4D25F04030	R4D25F05030	R4D25F06030	R4D25F08030	R4D25F10030	R4D25F12030
35	R4D25F04035	R4D25F05035	R4D25F06035	R4D25F08035	R4D25F10035	R4D25F12035
40	R4D25F04040	R4D25F05040	R4D25F06040	R4D25F08040	R4D25F10040	R4D25F12040
45	R4D25F04045	R4D25F05045	R4D25F06045	R4D25F08045	R4D25F10045	R4D25F12045
50	R4D25F04050	R4D25F05050	R4D25F06050	R4D25F08050	R4D25F10050	R4D25F12050
55			R4D25F06055	R4D25F08055	R4D25F10055	R4D25F12055
60			R4D25F06060	R4D25F08060	R4D25F10060	R4D25F12060
65				R4D25F08065	R4D25F10065	R4D25F12065
70				R4D25F08070	R4D25F10070	R4D25F12070
80				R4D25F08080	R4D25F10080	R4D25F12080
90					R4D25F10090	R4D25F12090
100					R4D25F10100	R4D25F12100
110						R4D25F12110
120						R4D25F12120

Sizes in BLUE are non-preferred. Availability is limited and MOQ is applied

Data is strictly informative

Note: All Austenitic Stainless-Steel Fasteners may exhibit some Magnetic Properties due to the Manufacturing Process.

Refer: ISO 3506-2 Annex F