



GST NO.: 29AHZPU5620Q1ZZ

An ISO 9001:2015 Certified Company

# ROYAL INDUSTRIAL SUPPLIERS

QUALITY FASTENERS SPECIALIST



8310165941 / 9959457863



sales@royalfastenersindia.com



www.royalfastenersindia.com

## TECHNICAL DATA SHEET

### CARRIAGE BOLT



MATERIAL- STAINLESS STEEL

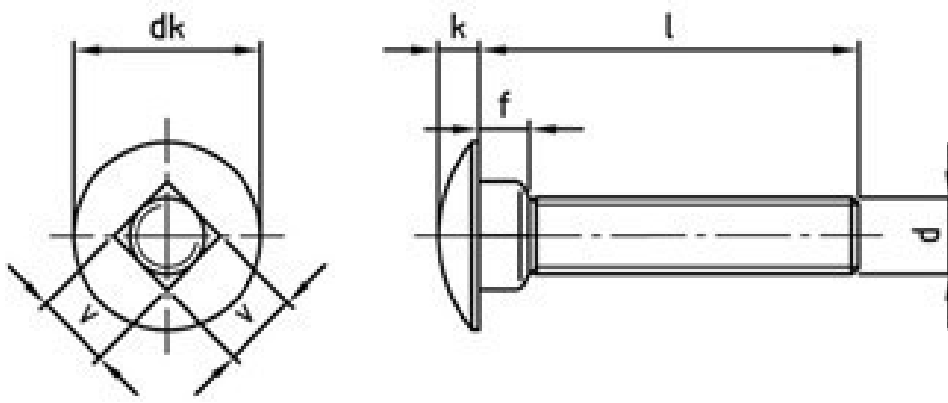
GRADE-SS316 (A4-70)

AS PER-DIN-603

CATALOGUE NO. R6G69

### INSTALLATION GUIDE

- VERIFY THE BOLT SIZE, LENGTH, THREAD PITCH, AND SQUARE NECK DIMENSIONS MATCH THE APPLICATION REQUIREMENT.
- INSPECT THE CARRIAGE BOLT FOR THREAD DAMAGE, CORROSION, OR SURFACE DEFECTS BEFORE INSTALLATION.
- ENSURE THE MATING HOLES ARE CORRECTLY SIZED, ALIGNED, AND FREE FROM BURRS OR DEBRIS.
- CHECK THAT THE SQUARE NECK CAN PROPERLY ENGAGE WITH THE MOUNTING HOLE OR MATERIAL.
- ALIGN THE COMPONENTS AND INSERT THE CARRIAGE BOLT THROUGH THE HOLES.
- ENSURE THE SQUARE NECK IS FULLY SEATED IN THE MATERIAL TO PREVENT BOLT ROTATION.
- PLACE THE REQUIRED WASHER AND NUT ON THE THREADED END OF THE BOLT.
- THREAD THE NUT ONTO THE BOLT BY HAND TO PREVENT CROSS-THREADING.
- USE THE APPROPRIATE SPANNER OR SOCKET TO TIGHTEN THE NUT.
- APPLY TIGHTENING FORCE GRADUALLY WHILE MAINTAINING COMPONENT ALIGNMENT.
- TIGHTEN THE ASSEMBLY TO THE SPECIFIED TORQUE VALUE.
- ENSURE THE ROUND HEAD SITS FLUSH AGAINST THE SURFACE AFTER INSTALLATION.
- DO NOT OVERTIGHTEN, AS THIS MAY DAMAGE THE MATERIAL OR THREADS.
- VERIFY THAT THE BOLT IS SECURE AND THE SQUARE NECK REMAINS ENGAGED.
- INSPECT THE FINAL ASSEMBLY FOR PROPER SEATING, ALIGNMENT, AND CLAMPING FORCE.



Size→ Parameter↓	M5x0.8	M6x1.0	M8x1.25	M10x1.5	M12x1.75	M16x2.0
dk max	13.55	16.55	20.65	24.65	30.65	38.80
dk min	12.45	15.45	19.35	23.35	29.35	37.20
k max	3.30	3.88	4.88	5.38	6.95	8.95
k min	2.70	3.12	4.12	4.62	6.05	8.05
f max	4.10	4.60	5.60	6.60	8.75	12.90
f min	2.90	3.40	4.40	5.40	7.25	11.10
v max	5.48	6.48	8.58	10.58	12.70	16.70
b I < 125	16.00	18.00	22.00	26.00	30.00	38.00
b 125 < I < 200	22.00	24.00	28.00	32.00	36.00	44.00
b over 200	-	-	-	45.00	49.00	57.00

Quote the PART NUMBER given below with your order/ inquiries:

All Dimensions in mm

Length↓ Size→	M5x0.8	M6x1.0	M8x1.25	M10x1.5	M12x1.75	M16x2.0
12	R6G6905012	R6G6906012	R6G6908012			
16	R6G6905016	R6G6906016	R6G6908016	R6G6910016		
18	R6G6905018	R6G6906018	R6G6908018			
20	R6G6905020	R6G6906020	R6G6908020	R6G6910020	R6G6912020	
25	R6G6905025	R6G6906025	R6G6908025	R6G6910025	R6G6912025	R6G6916025
30	R6G6905030	R6G6906030	R6G6908030	R6G6910030	R6G6912030	R6G6916030
35	R6G6905035	R6G6906035	R6G6908035	R6G6910035	R6G6912035	R6G6916035
40	R6G6905040	R6G6906040	R6G6908040	R6G6910040	R6G6912040	R6G6916040
45	R6G6904045	R6G6906045	R6G6908045	R6G6910045	R6G6912045	R6G6916045
50	R6G6905050	R6G6906050	R6G6908050	R6G6910050	R6G6912050	R6G6916050
55	R6G6905055	R6G6906055	R6G6908055	R6G6910055	R6G6912055	R6G6916055
60	R6G6905060	R6G6906060	R6G6908060	R6G6910060	R6G6912060	R6G6916060
65	R6G6905065	R6G6906065	R6G6908065	R6G6910065	R6G6912065	R6G6916065
70	R6G6905070	R6G6906070	R6G6908070	R6G6910070	R6G6912070	R6G6916070
75	R6G6905075	R6G6906075	R6G6908075	R6G6910075	R6G6912075	R6G6916075
80	R6G6905080	R6G6906080	R6G6908080	R6G6910080	R6G6912080	R6G6916080
90	R6G6905090	R6G6906090	R6G6908090	R6G6910090	R6G6912090	R6G6916090
100	R6G6905100	R6G6906100	R6G6908100	R6G6910100	R6G6912100	R6G6916100
110	R6G6905110	R6G6906110	R6G6908110	R6G6910110	R6G6912110	R6G6916110
120	R6G6905120	R6G6906120	R6G6908120	R6G6910120	R6G6912120	R6G6916120
130		R6G6906130	R6G6908130	R6G6910130	R6G6912130	R6G6916130
140		R6G6906140	R6G6908140	R6G6910140	R6G6912140	R6G6916140
150		R6G6906150	R6G6908150	R6G6910150	R6G6912150	R6G6916150
160			R6G6908160	R6G6910160	R6G6912160	R6G6916160

Sizes in BLUE are non-preferred. Availability is limited and MOQ is applied

Data is strictly informative

Note: All Austenitic Stainless-Steel Fasteners may exhibit some Magnetic Properties due to the Manufacturing Process.

Refer: ISO 3506-2 Annex F